



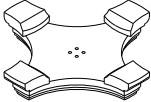

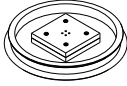


PUB TABLE



Presidential Billiards, L.P.

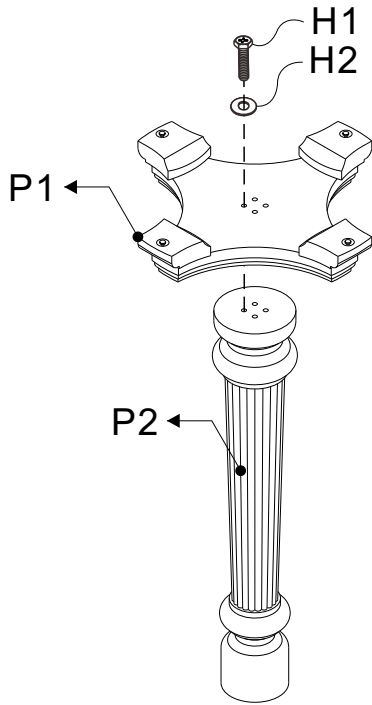
REPLACEMENT PARTS LIST				
PACKAGE	ITEM #	SAMPLE	DESCRIPTION	QTY.
HARDWARE	H1		HEX HEAD CROSS BOLT 5/16" X 2"(M8X51mm)	8
	H2		FLAT WASHER 5/16" I.D.	8
	H3		HEX HEAD CROSS BOLT 5/16" X 1-1/2"(M8X37mm) (INSIDE P3)	4
	H4		FLAT WASHER 5/16" I.D. (INSIDE P3)	4
WOOD	P1		BASE	1
	P2		PEDESTAL	1
	P3		TABLE TOP	1

PUB TABLE

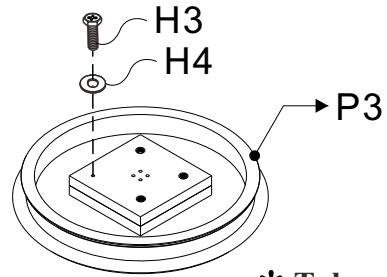


Presidential Billiards, L.P.

Step 1

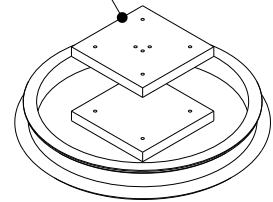


Step 2

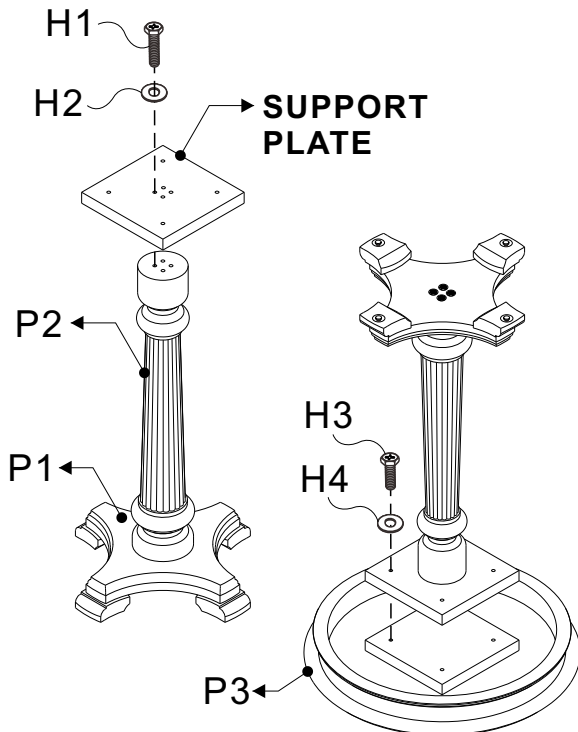


* Take off H3 and H4 for future use

REMOVE
SUPPORT
PLATE



Step 3



Step 4

