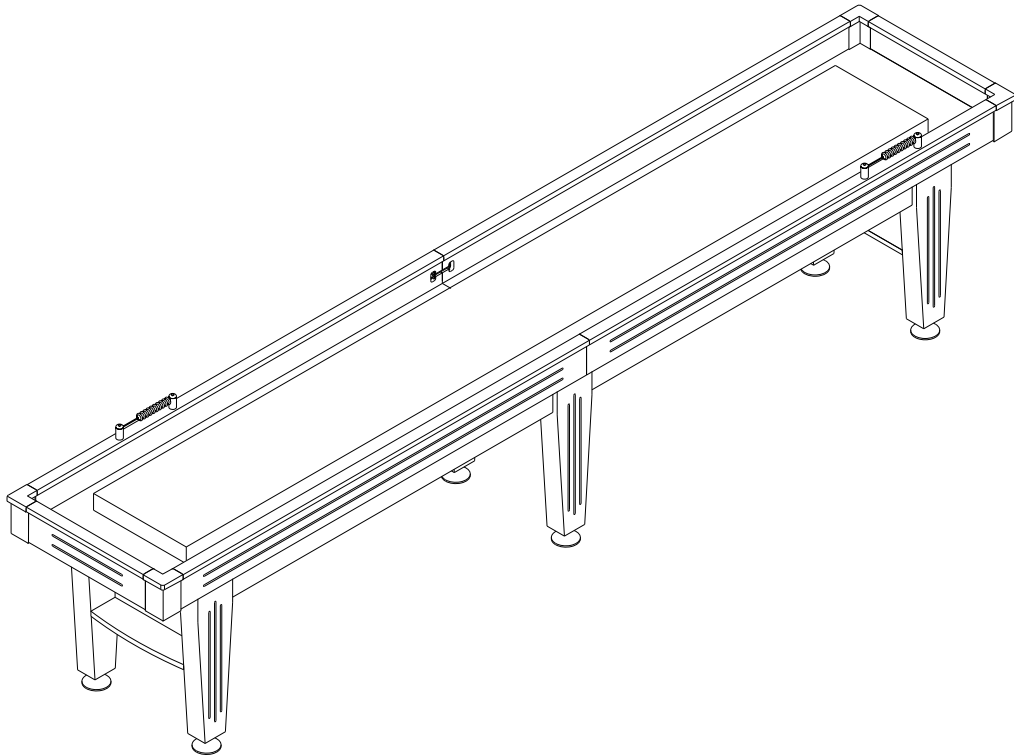


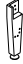

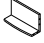

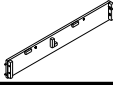
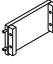

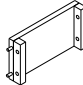
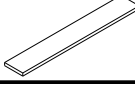
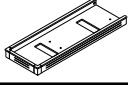
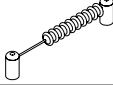



12' Contender Shuffleboard



Installation Instructions

Contender Shuffleboard Components

PACKAGE	ITEM#		DESCRIPTION	QTY.
LEG	1		LEFT CORNER LEG	2
	2		RIGTH CORNER LEG	2
	3		LEG SHELF	2
	4		MIDDLE LEG	2
CABINET	5		SIDE PANEL	4
	6		END PANEL	2
	7		LONG CROSS BEAM	2
	8		MIDDLE CROSS BEAM	1
	9		PLAYBOARD	1
	10		CABINET	2
	11		ABACUS SET	2
	12		WOOD JOINT	44

Contender Shuffleboard Components





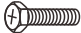








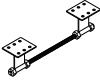
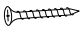
PACKAGE	ITEM#		DESCRIPTION	QTY.
LEG	H1		HEX HEAD CROSS BOLT 3/8" X 2-3/8"(M10X60mm)	28
	H2		FLAT WASHER 3/8" I.D.	28
CABINET	H3		HEX HEAD CROSS BOLT 5/16" x 2"(M8X51mm)	4
	H4		FLAT WASHER 5/16" I.D.	4
	H5		HEX HEAD CROSS BOLT 5/16" X 1-1/2"(M8X37mm)	8
	H6		FLAT WASHER 5/16" I.D.	8
	H7		HEX HEAD CROSS BOLT 5/16" x 2"(M8X51mm)	6
	H8		FLAT WASHER 5/16" I.D.	6
	H9		STUD BOLT 5/16" X 5-1/2"(M8X140mm)	2
	H10		FLAT WASHER 5/16" I.D.	4
	H11		HEX NUT 5/16" I.D.	4
	H12		HEX HEAD CROSS BOLT 5/16" X 1"(M8X25mm)	48
	H13		FLAT WASHER 5/16" I.D.	48
	H14		CLIMATIC ADJUSTERS	4
	H15		FLAT HEAD SCREW 8# X 1-1/2"(M4X37mm)	4

FIG.1

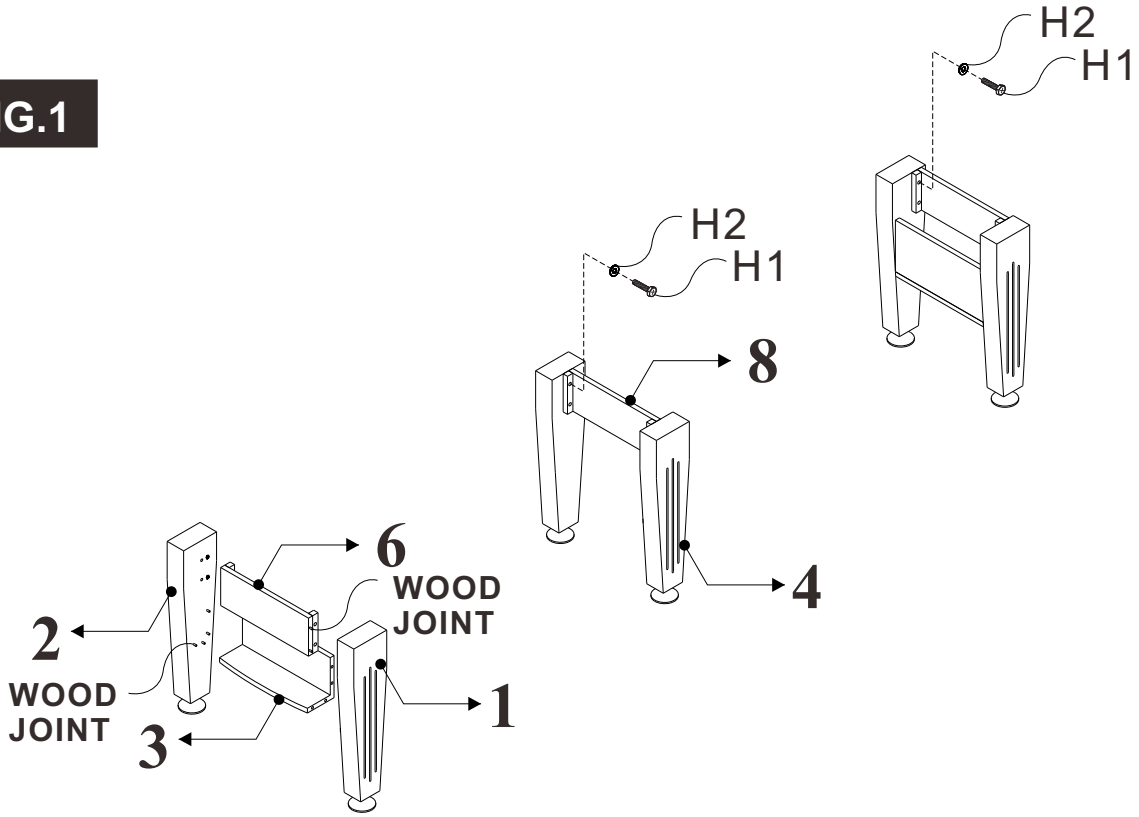


FIG.2

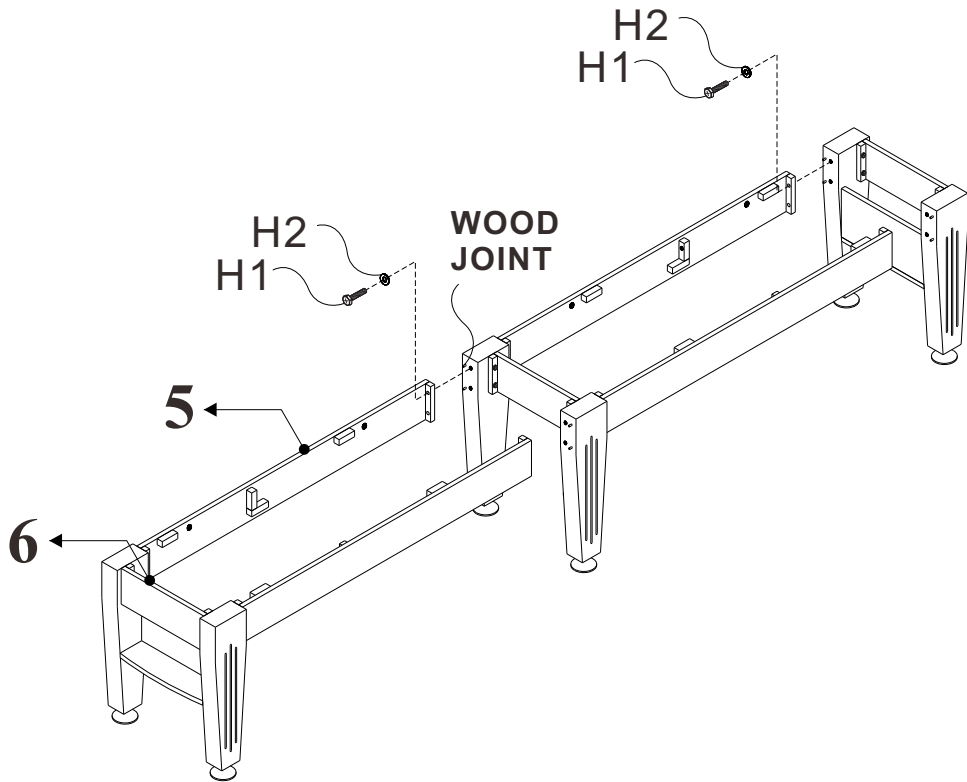


FIG.3

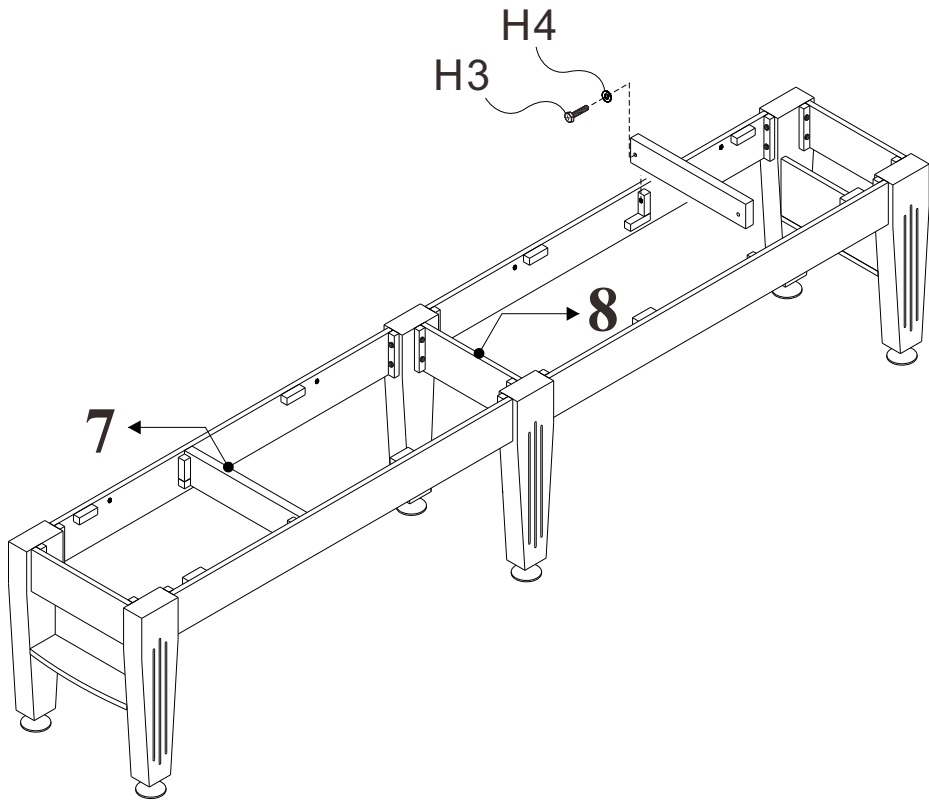


FIG.4

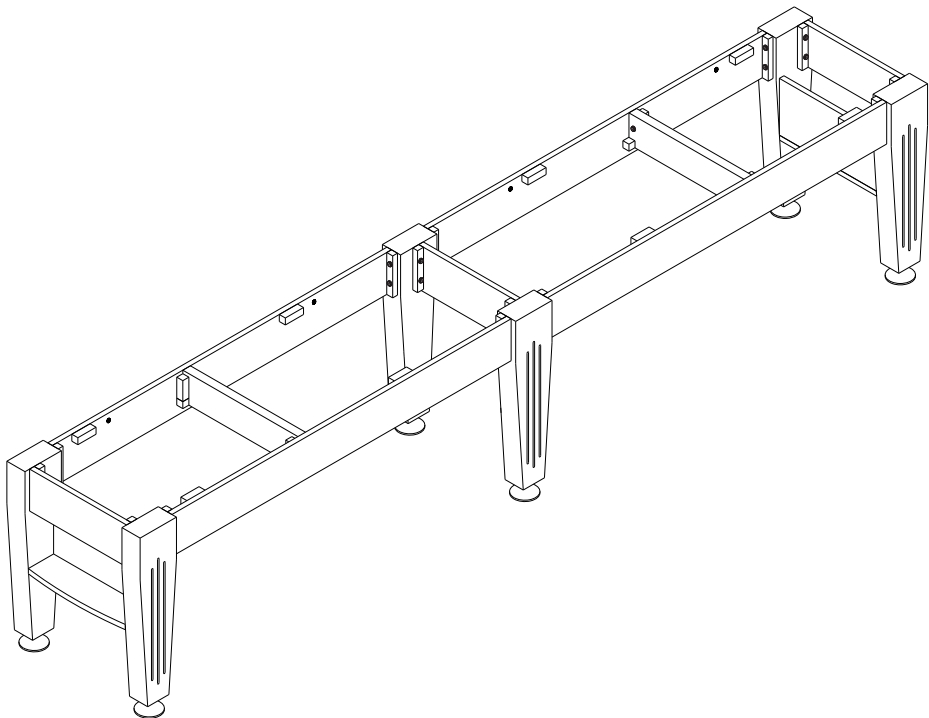


FIG.5

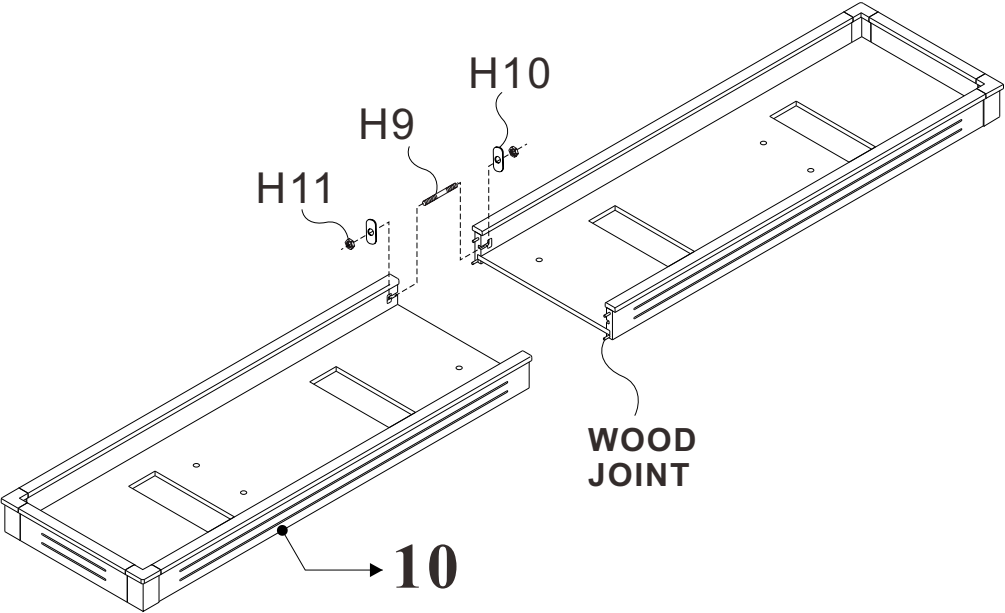


FIG.6

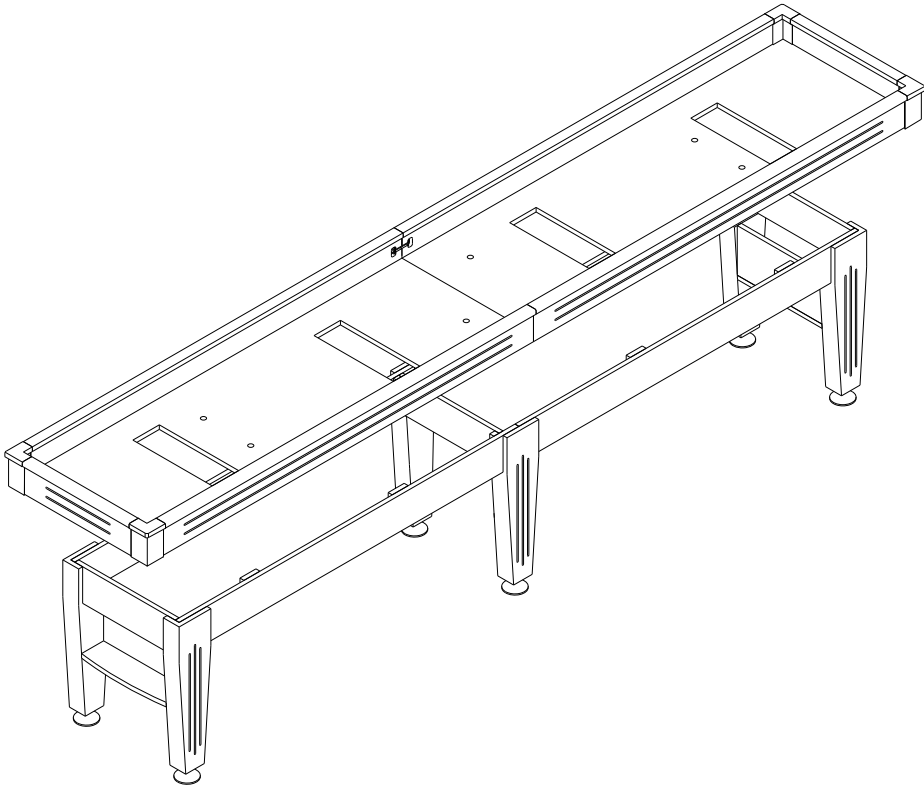
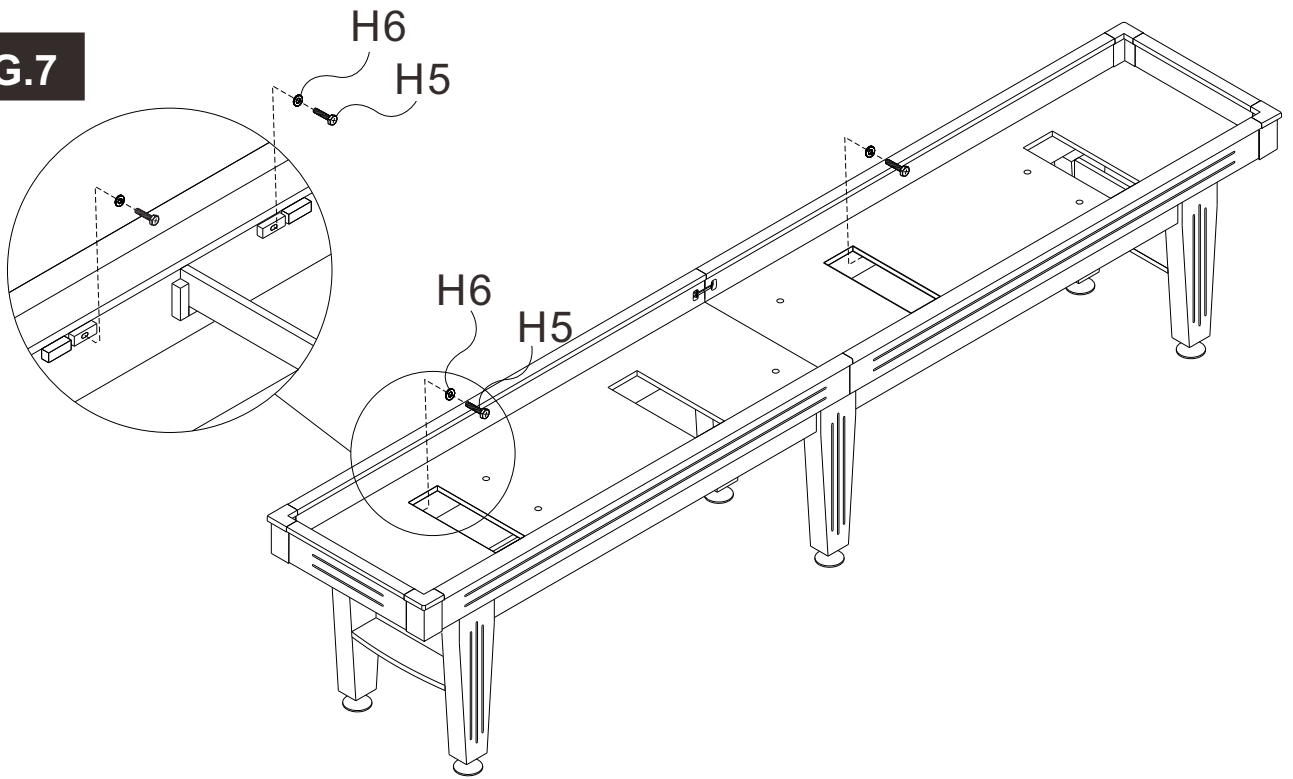


FIG.7



Adjust H5 tightly after cabinet is leveled.

FIG.8

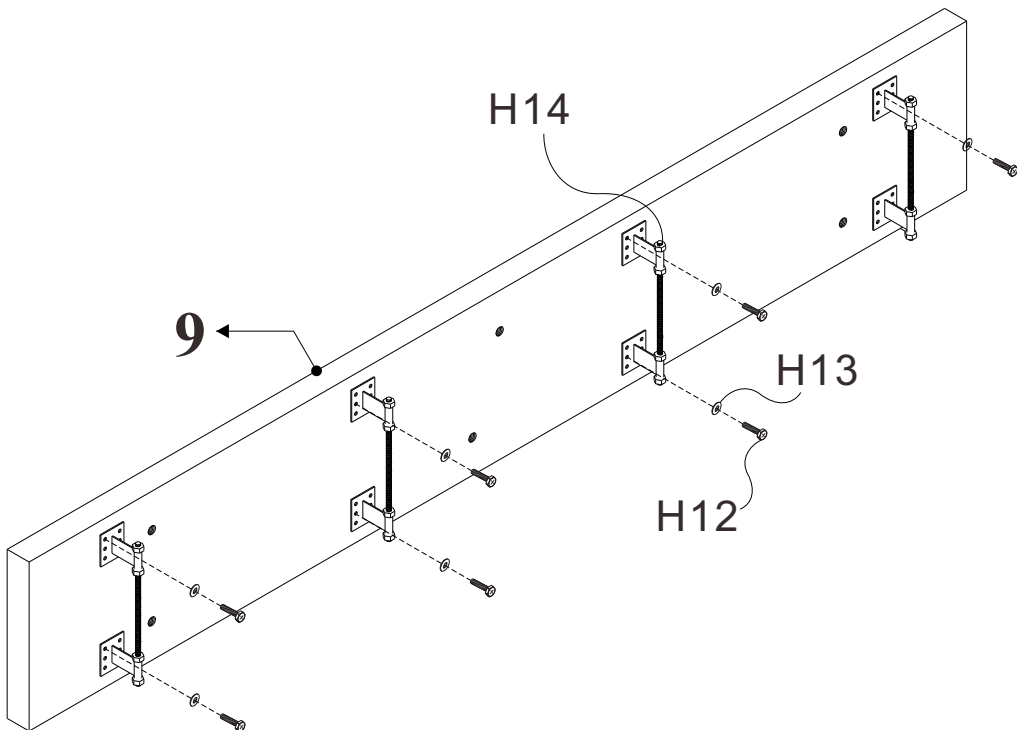
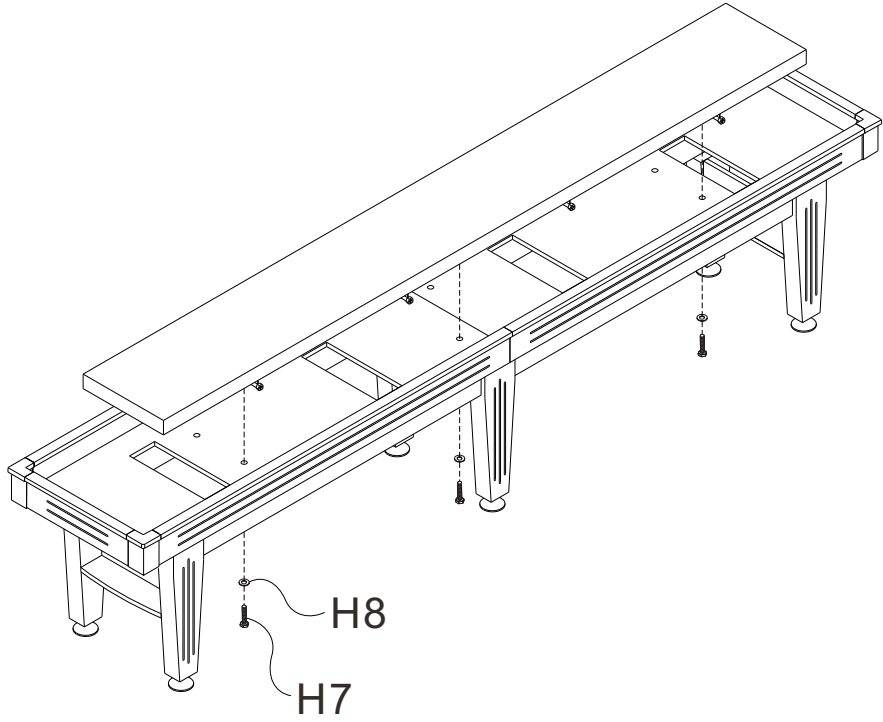


FIG.9



Adjust H7 tightly after playboard is leveled.

Finish

