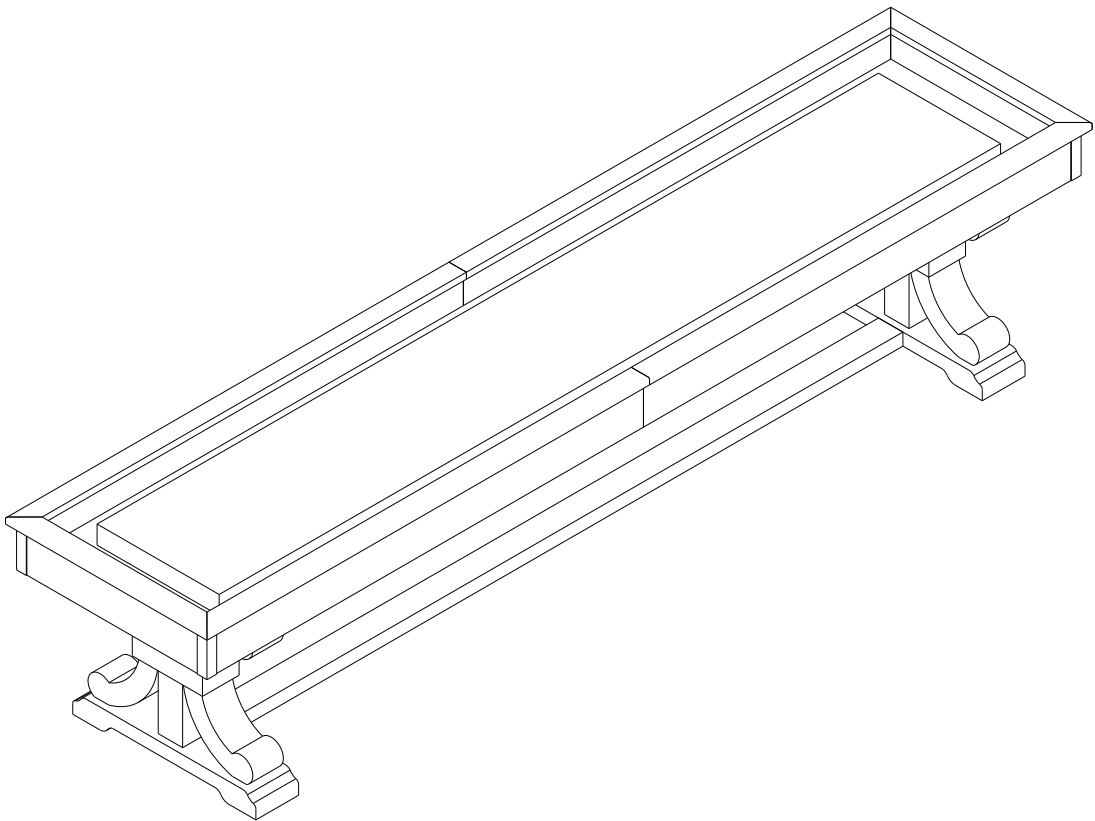


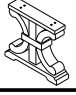
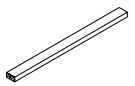
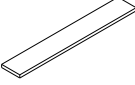
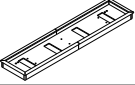


12' CARMEL



SHUFFLEBOARD TABLE ASSEMBLY INSTRUCTIONS

Carmel Shuffleboard Components

PACKAGE	ITEM#	SAMPLE	DESCRIPTION	QTY.
LEG	1		LEG	2
	2		LONG LEG BEAM	1
CABINET	3		PLAYBOARD	1
	4		CABINET	1

Carmel Shuffleboard Hardware



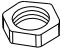






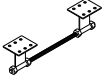
PACKAGE	ITEM#	SAMPLE	DESCRIPTION	QTY.
LEG	H1		HEX BOLT 3/8" X 4-5/16"	2
	H2		FLAT WASHER 3/8" I.D.	2
	H3		HEX NUT 3/8" I.D.	2
	H4		HEX BOLT 3/8" X 3-1/8"	8
	H5		FLAT WASHER 3/8" I.D.	8
CABINET	H6		HEX HEAD CROSS BOLT 5/16" x 3 - 1/6"	6
	H7		FLAT WASHER 5/16" I.D.	6
	H8		FLAT HEAD SCREW 5/16 " X 1 - 1/2 "	48
	H9		FLAT WASHER 5/16" I.D.	48
	H10		CLIMATIC ADJUSTERS	4

FIG.1

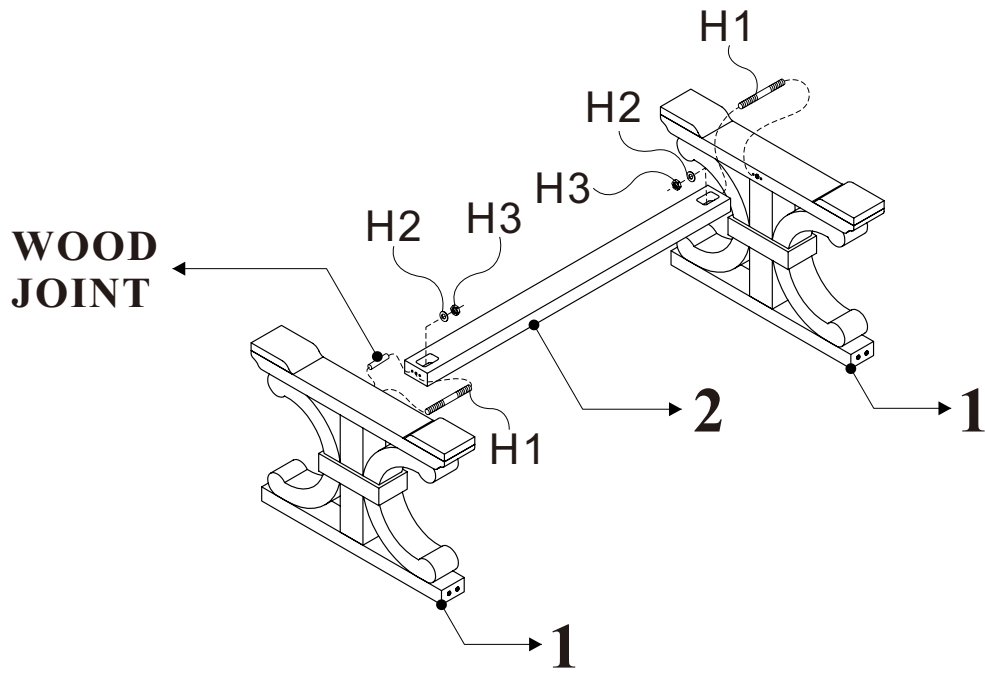


FIG.2

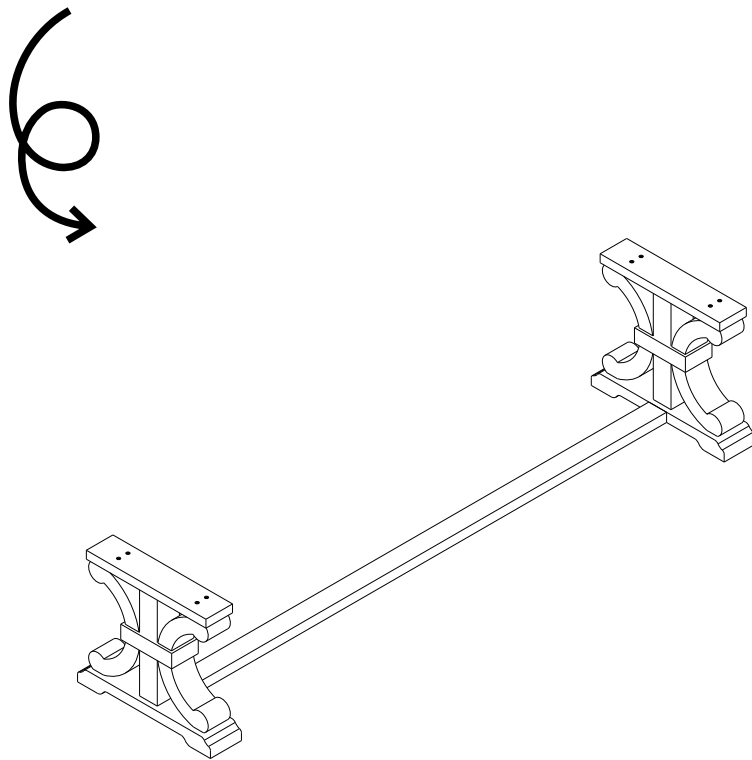


FIG.3

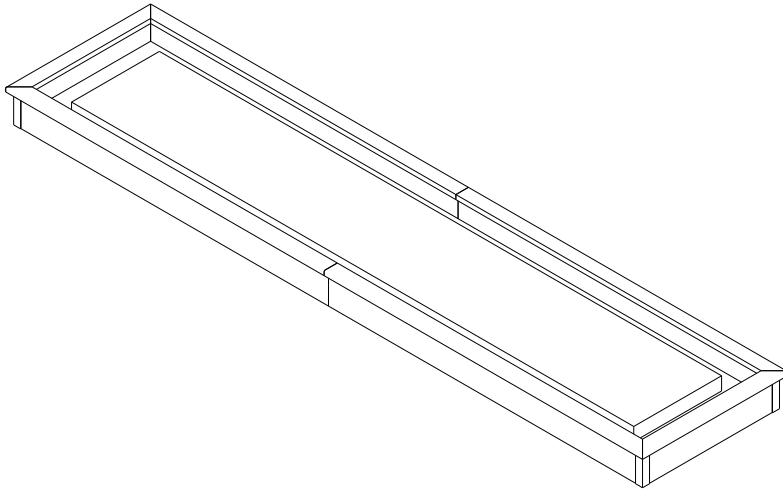
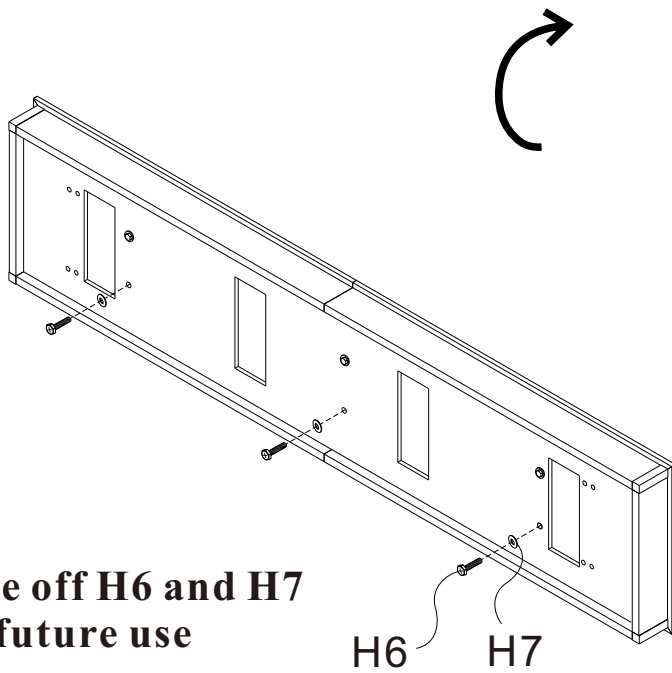


FIG.4



*** Take off H6 and H7
for future use**

FIG.5

*** Remove playboard**

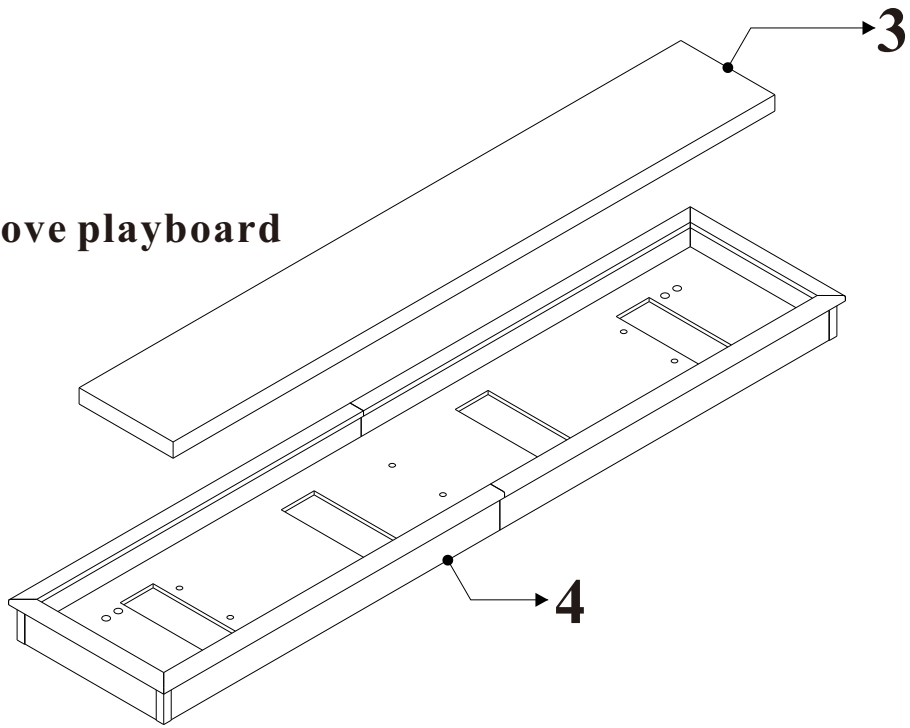
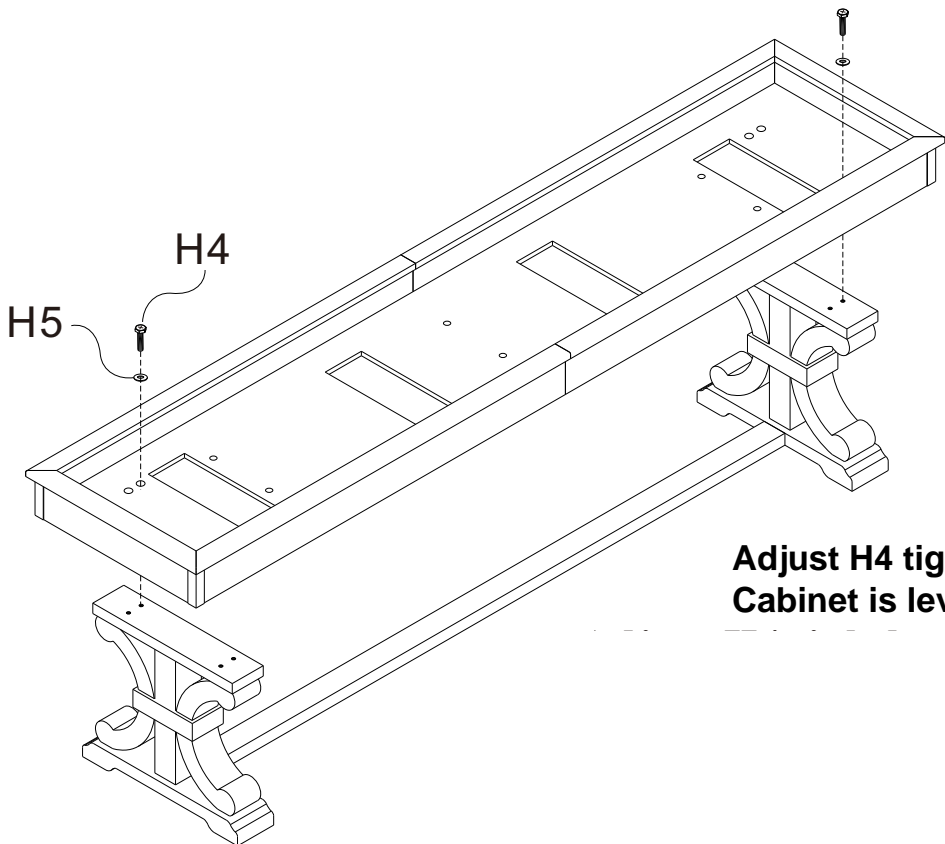


FIG.6



**Adjust H4 tightly after
Cabinet is leveled**

FIG.7

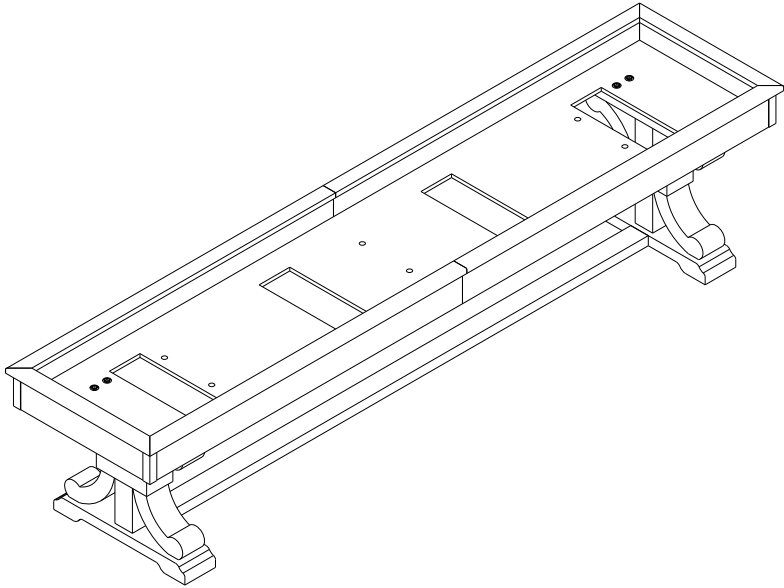


FIG.8

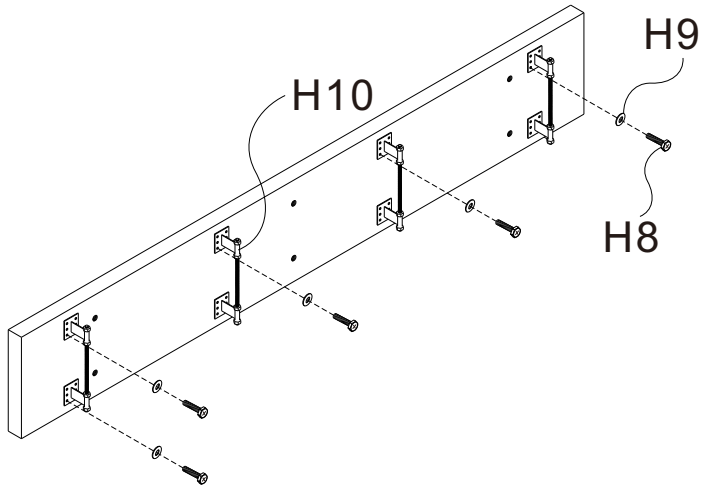
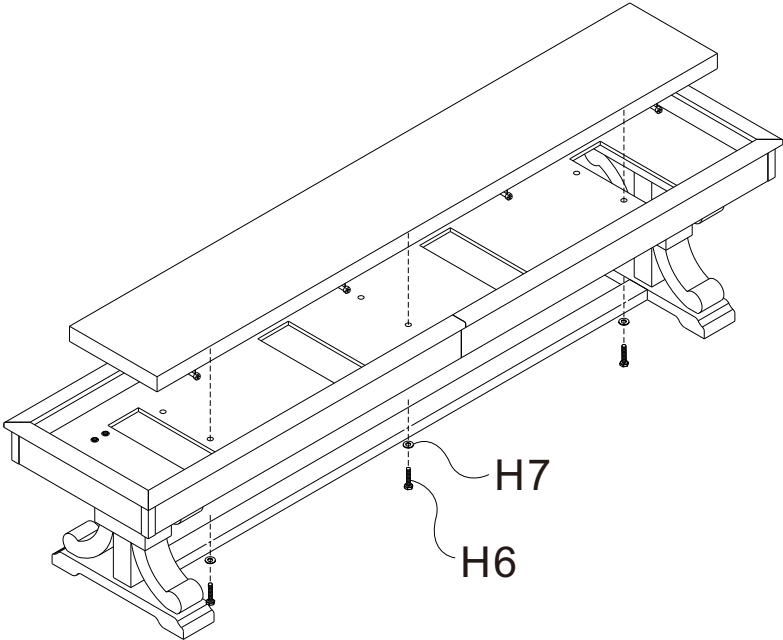


FIG.9



*** Adjust H6 tightly after playboard is leveled.**

Finish

