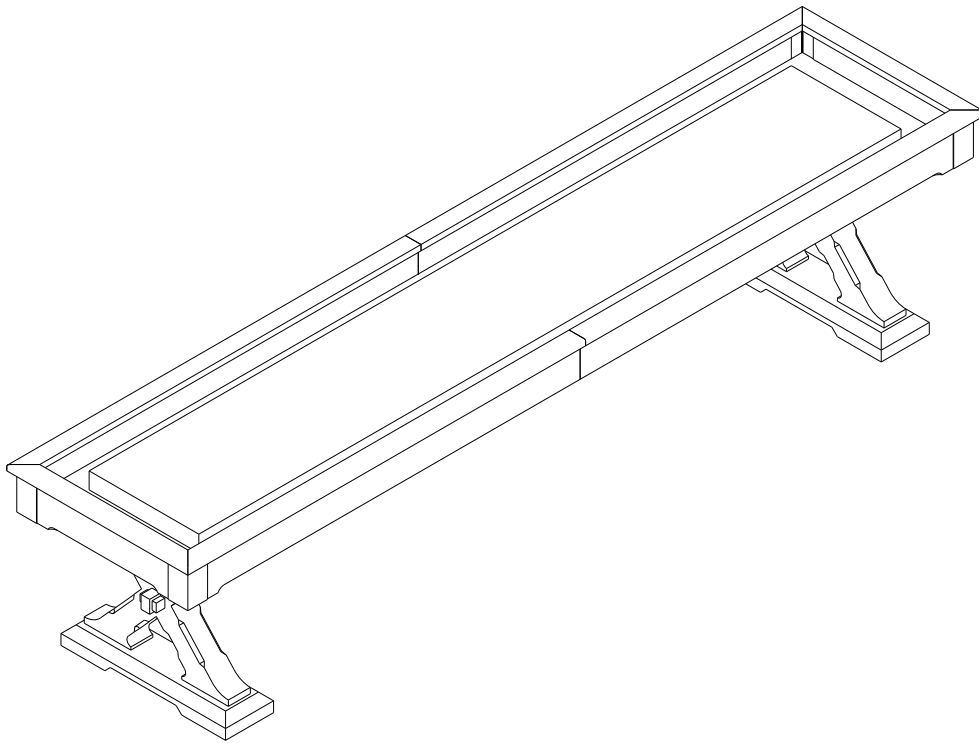





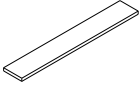
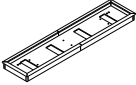


12' Kariba Shuffleboard



Installation Instructions

Kariba Shuffleboard Components

PACKAGE	ITEM#	SAMPLE	DESCRIPTION	QTY.
LEG	1		LEG	2
	2		LEG BEAM	1
	3		WOOD PLUG	2
CABINET	4		PLAYBOARD	1
	5		CABINET	1

Kariba Shuffleboard Hardware







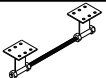
PACKAGE	ITEM#	SAMPLE	DESCRIPTION	QTY.
LEG	H1		HEX BOLT 5/16" X 2"	8
	H2		FLAT WASHER 5/16" I.D.	8
CABINET	H3		HEX HEAD CROSS BOLT 5/16" x 2"	6
	H4		FLAT WASHER 5/16" I.D.	6
	H5		FLAT HEAD SCREW 5/16 " X 1"	48
	H6		FLAT WASHER 5/16" I.D.	48
	H7		CLIMATIC ADJUSTERS	4

FIG.1

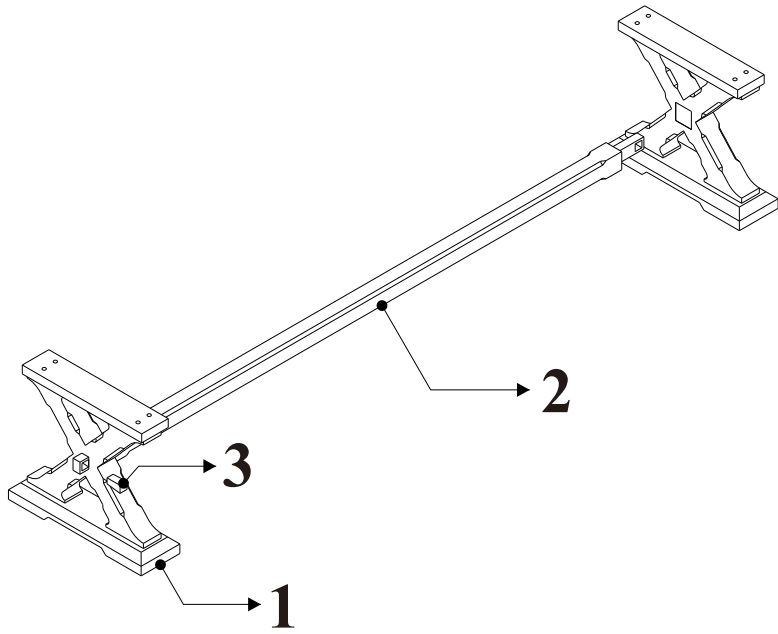


FIG.2

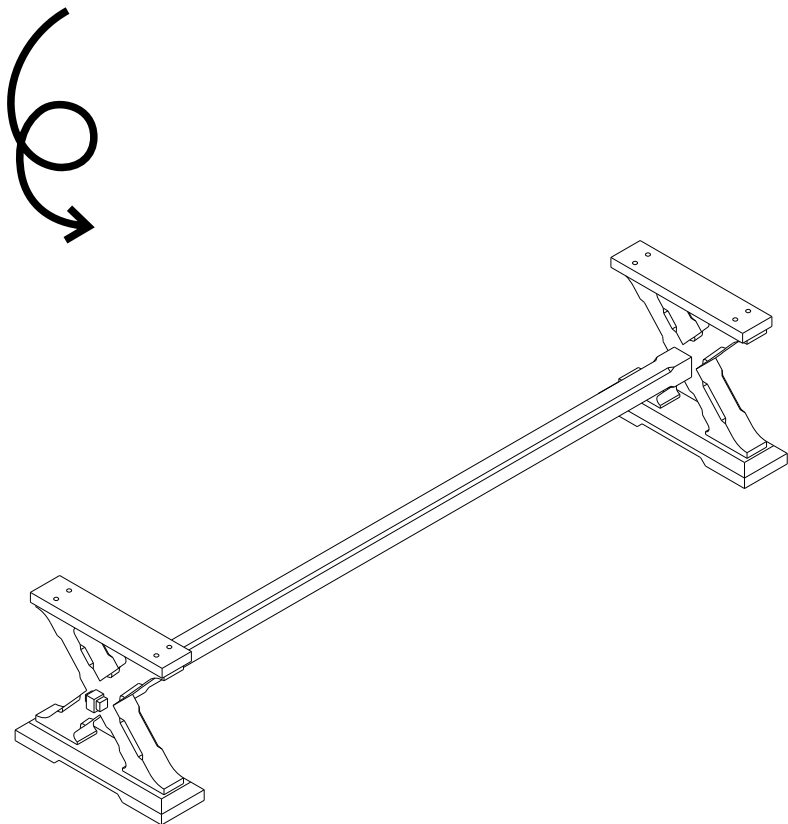


FIG.3

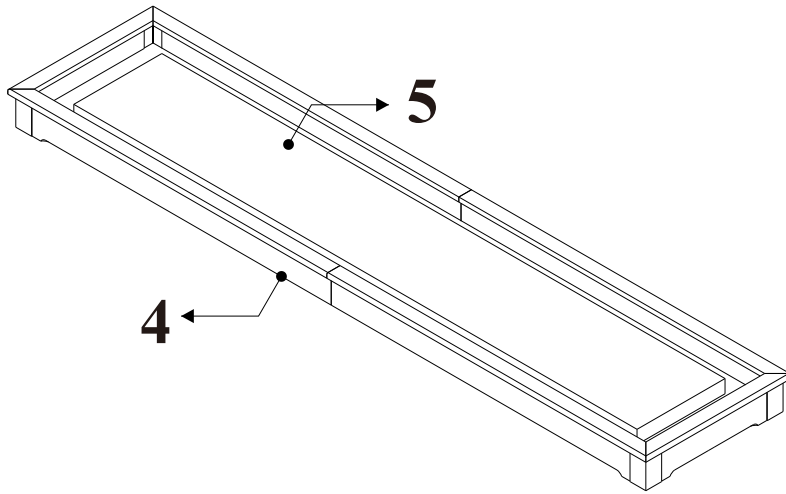
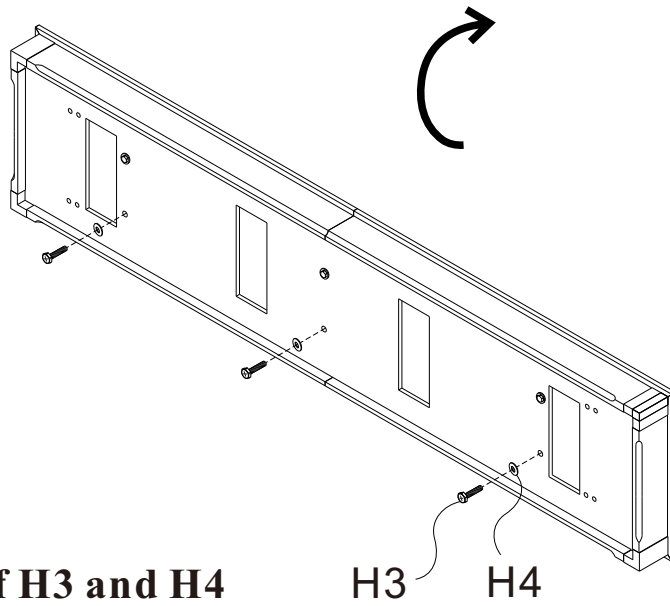


FIG.4



*** Take off H3 and H4
for future use**

FIG.5

*** Remove playboard**

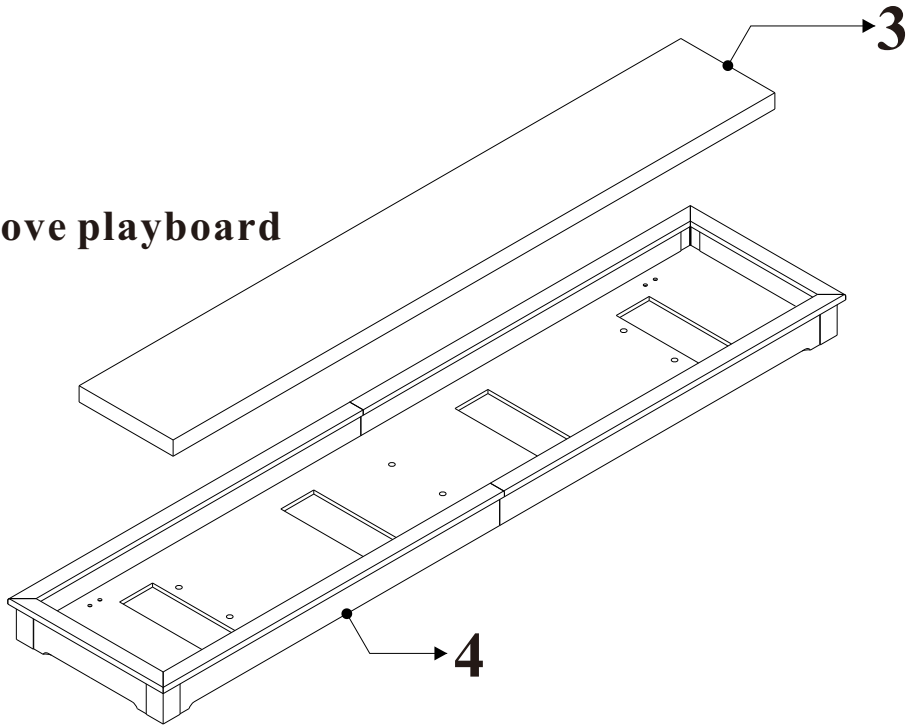


FIG.6

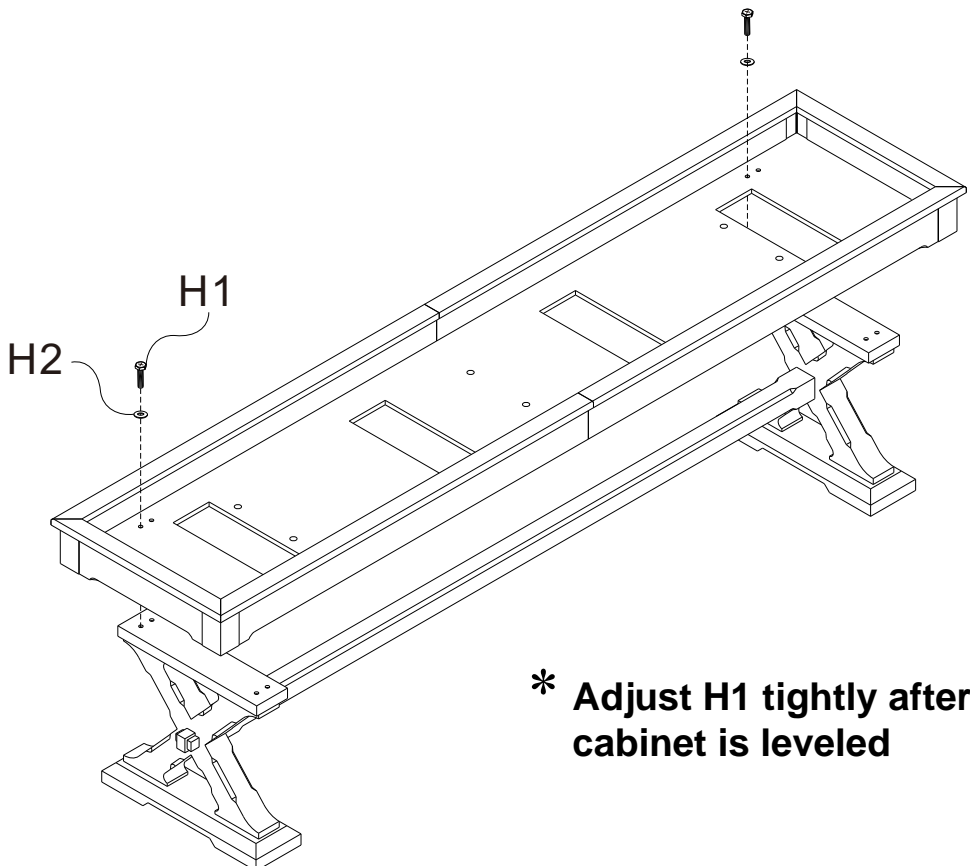


FIG.7

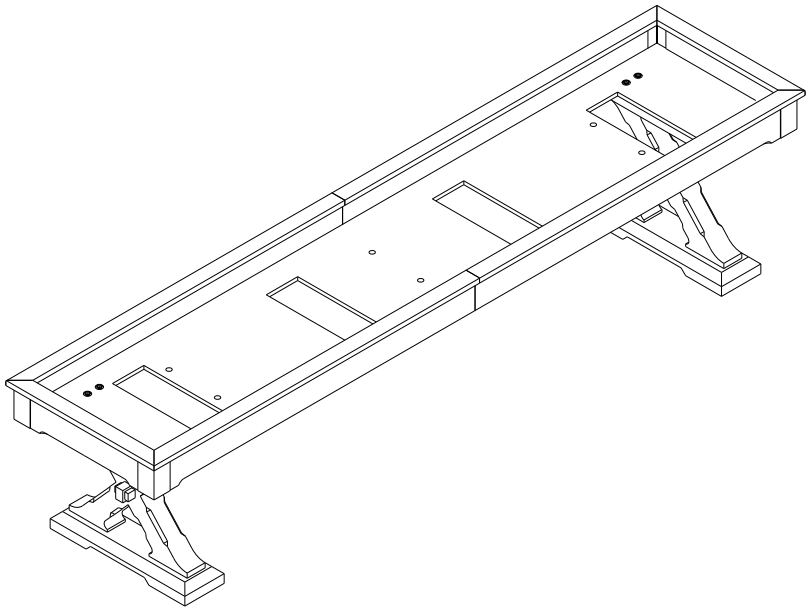


FIG.8

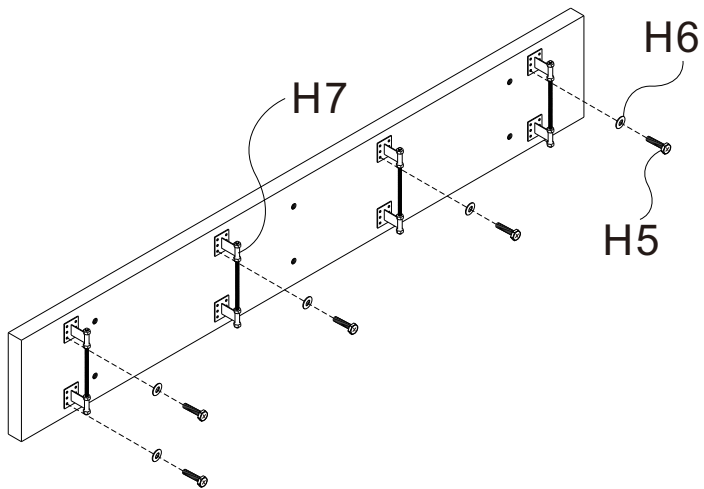
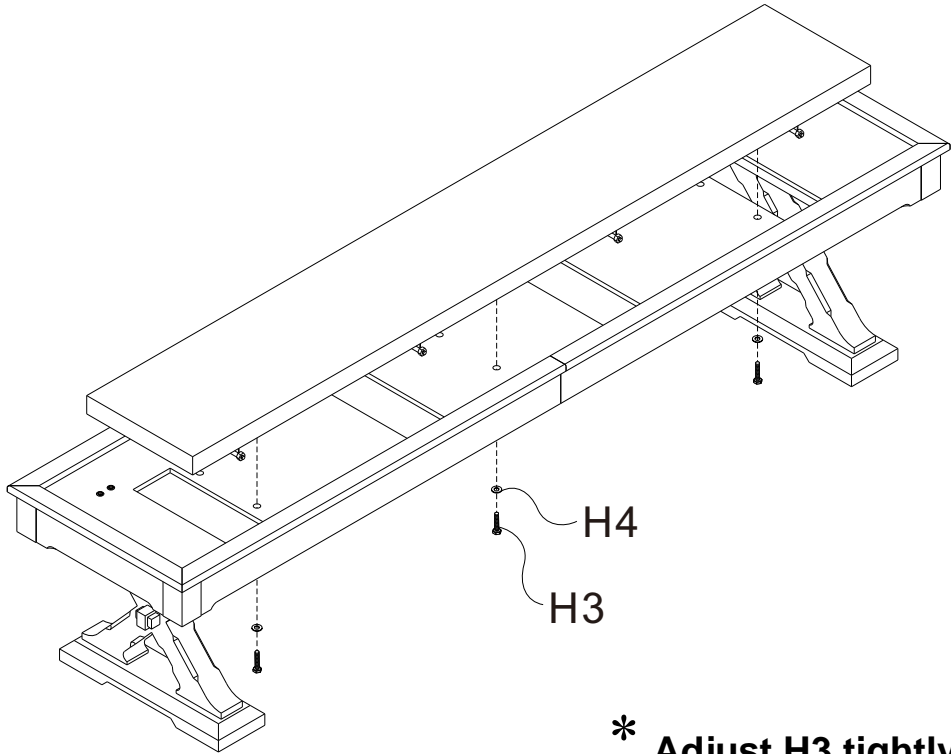


FIG.9



*** Adjust H3 tightly after playboard is leveled**

Finish

