



TABLE TENNIS CONVERSION CADDY

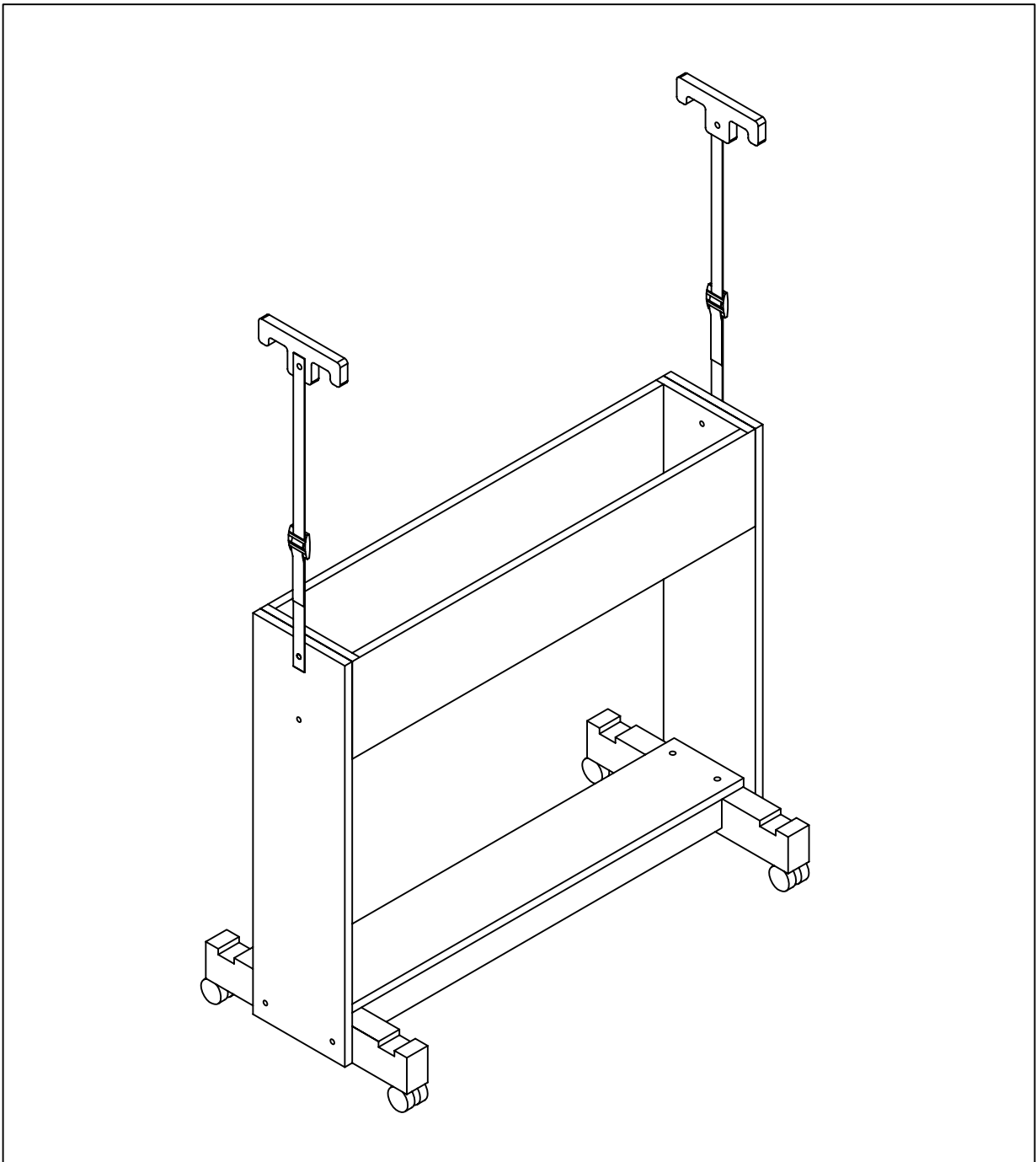
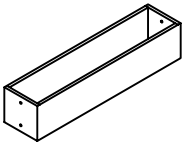
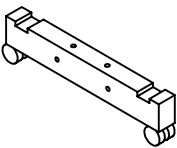
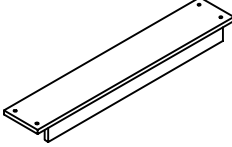
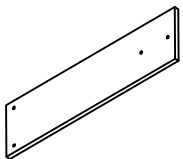
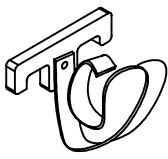

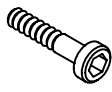
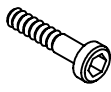
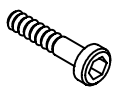

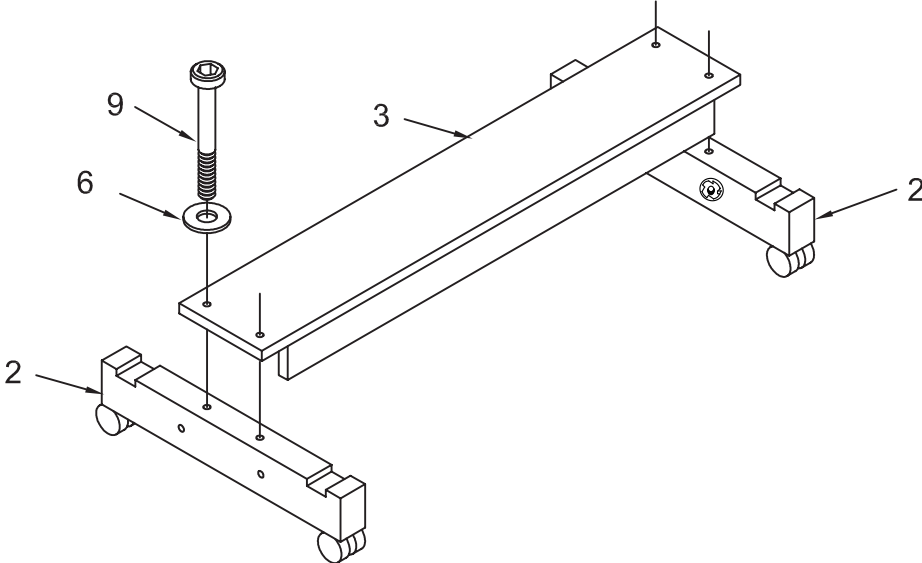


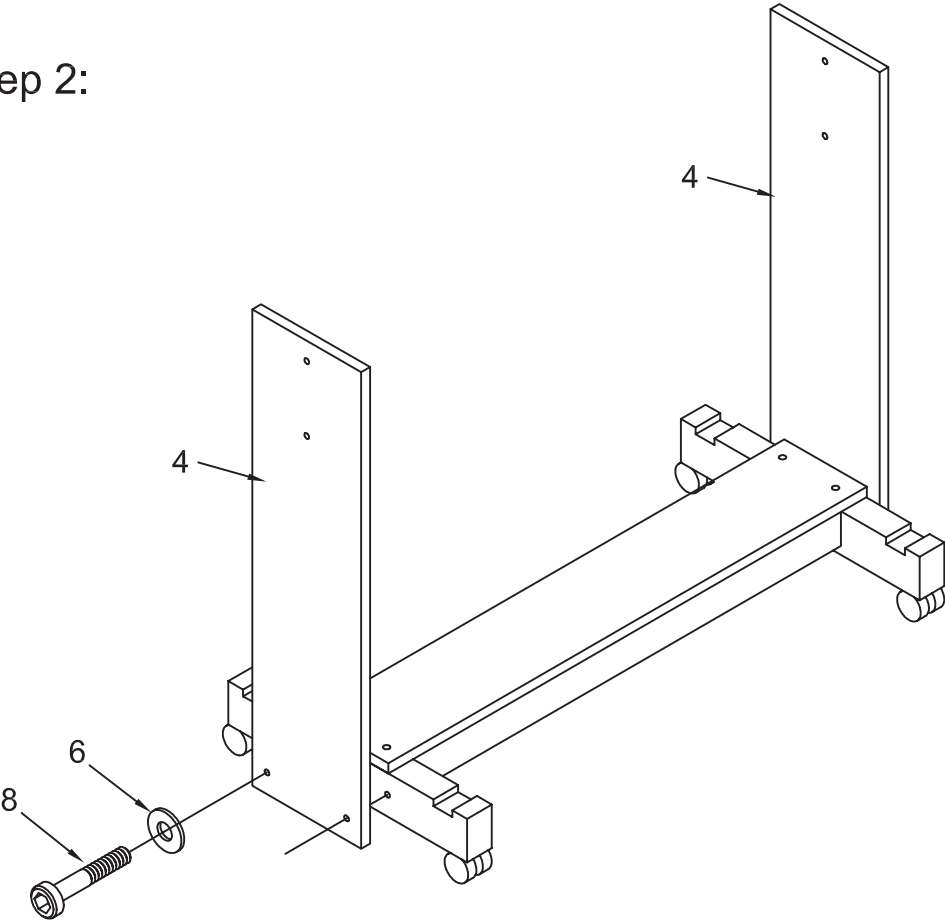
Table Tennis Caddy Hardware

<p>#1</p>  <p>Storage Box Assy 1 piece</p>	<p>#2</p>  <p>Bottom Support Assy 2 pieces</p>	<p>#3</p>  <p>Stretcher Assy 1 piece</p>	<p>#4</p>  <p>Side Panel 2 pieces</p>
<p>#5</p>  <p>Hold Bown Assy 2 pieces</p>	<p>#6</p>  <p>1/4"X19MM Washer 12 pieces</p>	<p>#7</p>  <p>1/4"X1-1/4" Bolt 4 pieces</p>	<p>#8</p>  <p>1/4"X2-1/4" Bolt 4 pieces</p>
<p>#9</p>  <p>1/4"X2-1/2" Bolt 4 pieces</p>	<p>#10</p>  <p>Allen key 1 piece</p>		

Step 1:



Step 2:



Step 3:

