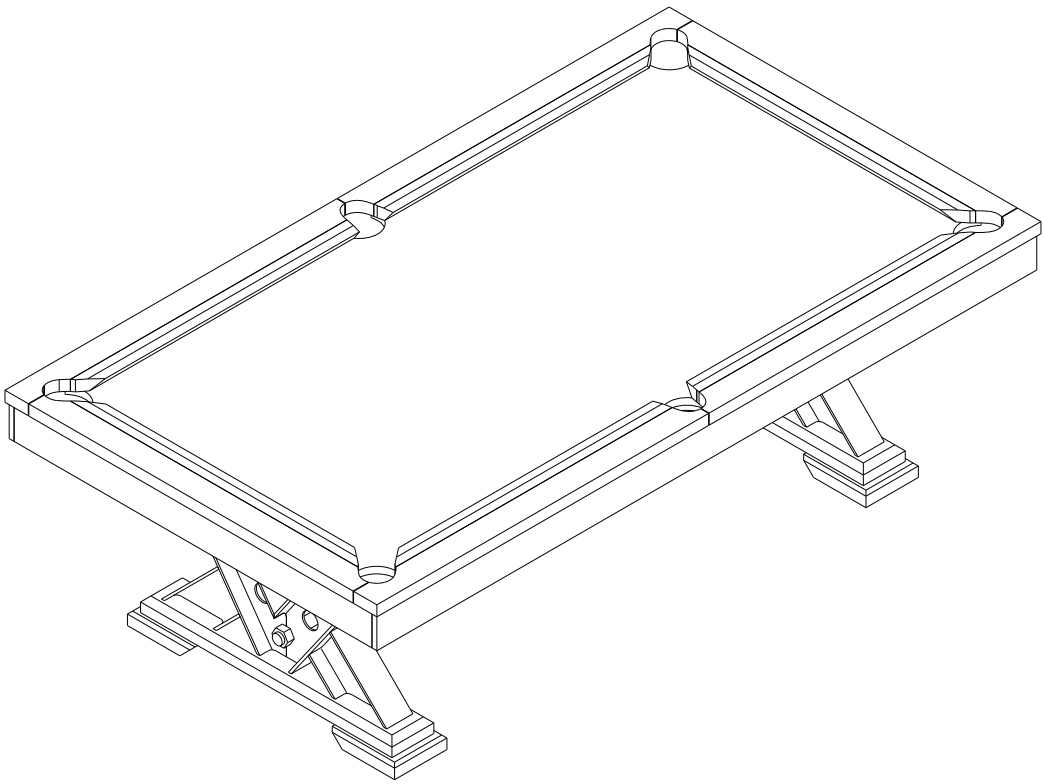




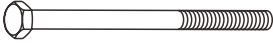


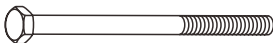













Presidential Billiards, L.P.

# VIENNA






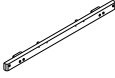
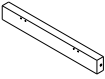

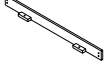

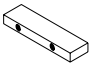
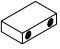

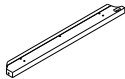
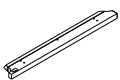
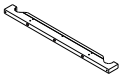


## **VIENNA TABLE ASSEMBLY INSTRUCTIONS**

## VIENNA HARDWARE

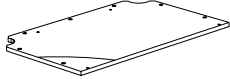
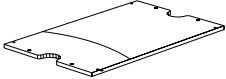
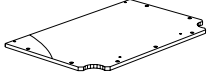
PACKAGE	ITEM#	SAMPLE	DESCRIPTION	QTY.
<b>LEG/PANEL</b>	H1		<b>HEX BOLT</b> 3/8" X 5-1/8"(M10X130mm)	8
	H2		<b>FLAT WASHER</b> 3/8" I.D.	8
	H3		<b>NUT</b> 3/8" I.D.	8
<b>BEAM/BLOCK</b>	H4		<b>HEX BOLT</b> 3/8" X 5-1/8" (M10X130mm)	4
	H5		<b>FLAT WASHER</b> 3/8" I.D.	4
	H6		<b>NUT</b> 3/8" I.D.	4
	H7		<b>HEX HEAD CROSS BOLT</b> 5/16" X 2"(M8X51mm)	4
	H8		<b>FLAT WASHER</b> 5/16" I.D.	4
	H9		<b>HEX HEAD CROSS BOLT</b> 5/16" X 3-1/8"(M8X80mm)	16
	H10		<b>FLAT WASHER</b> 5/16" I.D.	16
<b>RAIL/POCKET/SLATE</b>	H11		<b>FLAT HEAD SCREW</b> 1/2" X 2-3/4"(M12X70mm)	16
	H12		<b>STUD BOLT</b> 5/16" X 5-1/2"(M8X140mm)	2
	H13		<b>STUD BOLT</b> 5/16" X 3-1/2"(M8X88mm)	4
	H14		<b>FLAT WASHER</b> 5/16" I.D.	12
	H15		<b>HEX NUT</b> 5/16" I.D.	12
	H16		<b>HEX HEAD CROSS BOLT</b> 5/16" X 1"(M8X25mm)	16
	H17		<b>FLAT WASHER</b> 5/16" I.D.	16



## VIENNA COMPONENT PARTS

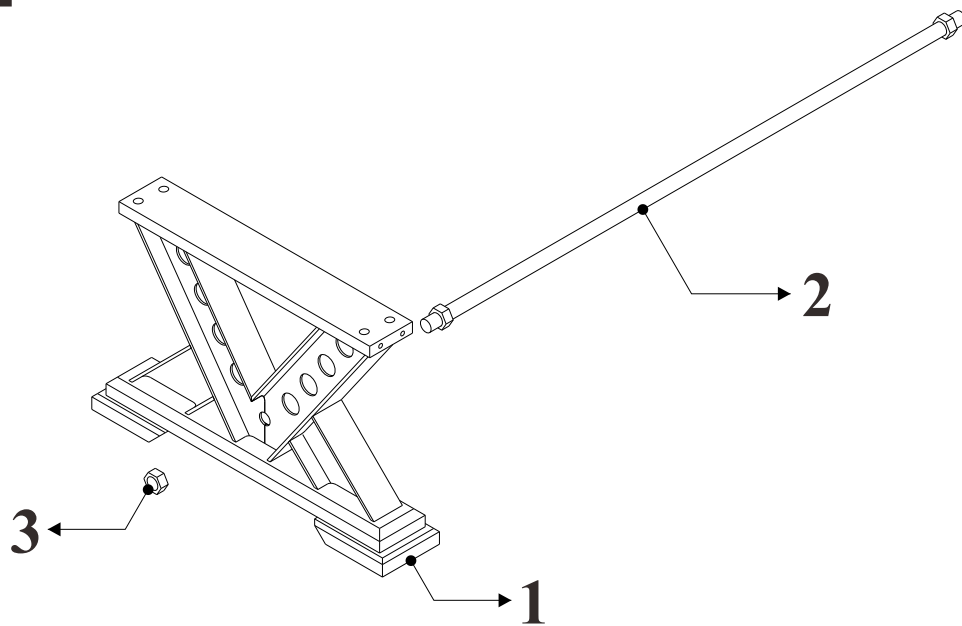
PACKAGE	ITEM#	SAMPLE	DESCRIPTION	QTY.
LEG	1		LEG	2
	2		LEG BEAM	1
	3		WOOD PLUG	2
FRAME(PANEL)	4		SIDE CABINET	2
	5		END CABINET	2
	6		SIDE APRON	2
	7		END APRON	2
	8		APRON JOINT CORNER BLOCK	4
	9		LONG WOODEN BLOCK	4
	10		SHORT WOODEN BLOCK	4
BEAM	11		CROSS BEAM	2
TOP RAIL	12		TOP RAIL LEFT SIDE	2
	13		TOP RAIL RIGHT SIDE	2
	14		TOP RAIL END	2
POCKET	15		SIDE POCKET	2
	16		CORNER POCKET	4

## VIENNA COMPONENT PARTS

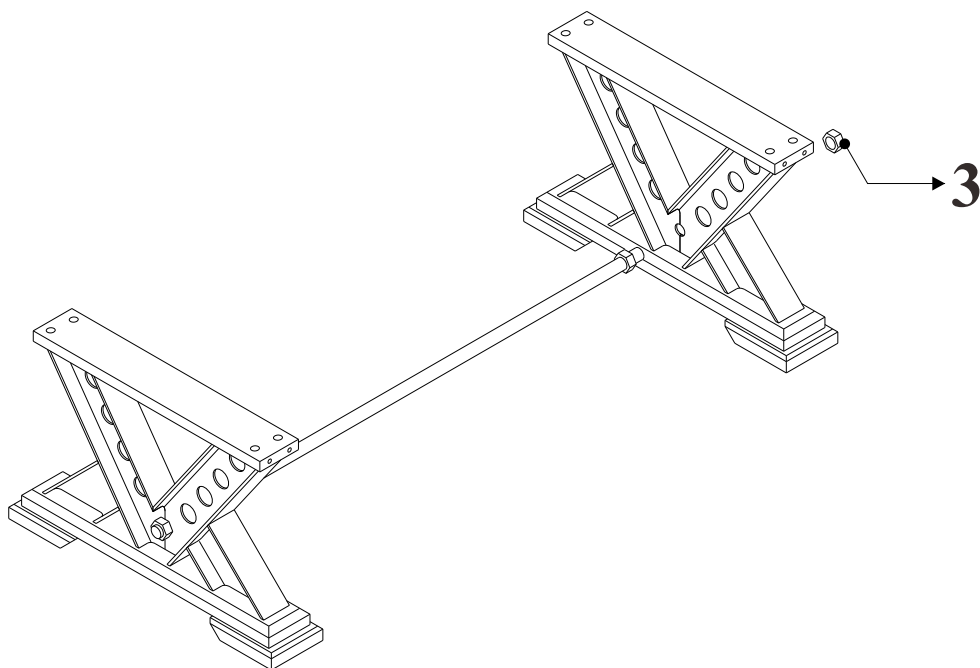
PACKAGE	ITEM#	SAMPLE	DESCRIPTION	QTY.
<b>SLATE</b>	<b>17</b>		<b>SLATE (LEFT)</b>	<b>1</b>
	<b>18</b>		<b>SLATE (CENTER)</b>	<b>1</b>
	<b>19</b>		<b>SLATE (RIGHT)</b>	<b>1</b>

# VIENNA INSTALLATION INSTRUCTIONS

**FIG.1**

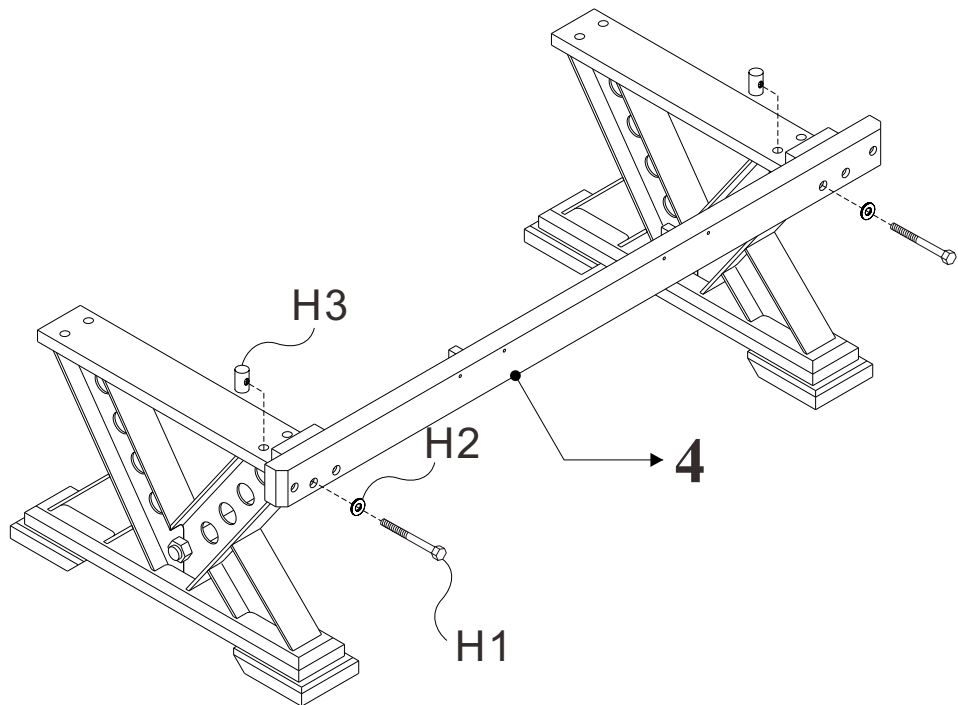


**FIG.2**

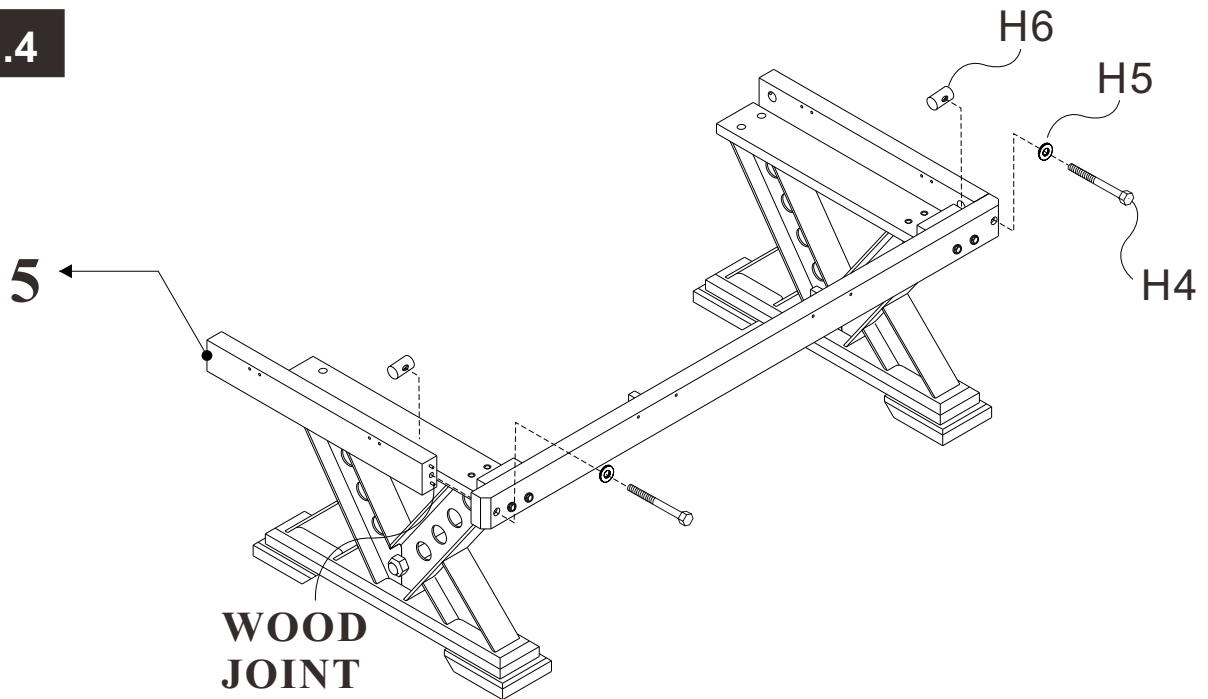


# VIENNA INSTALLATION INSTRUCTIONS

**FIG.3**

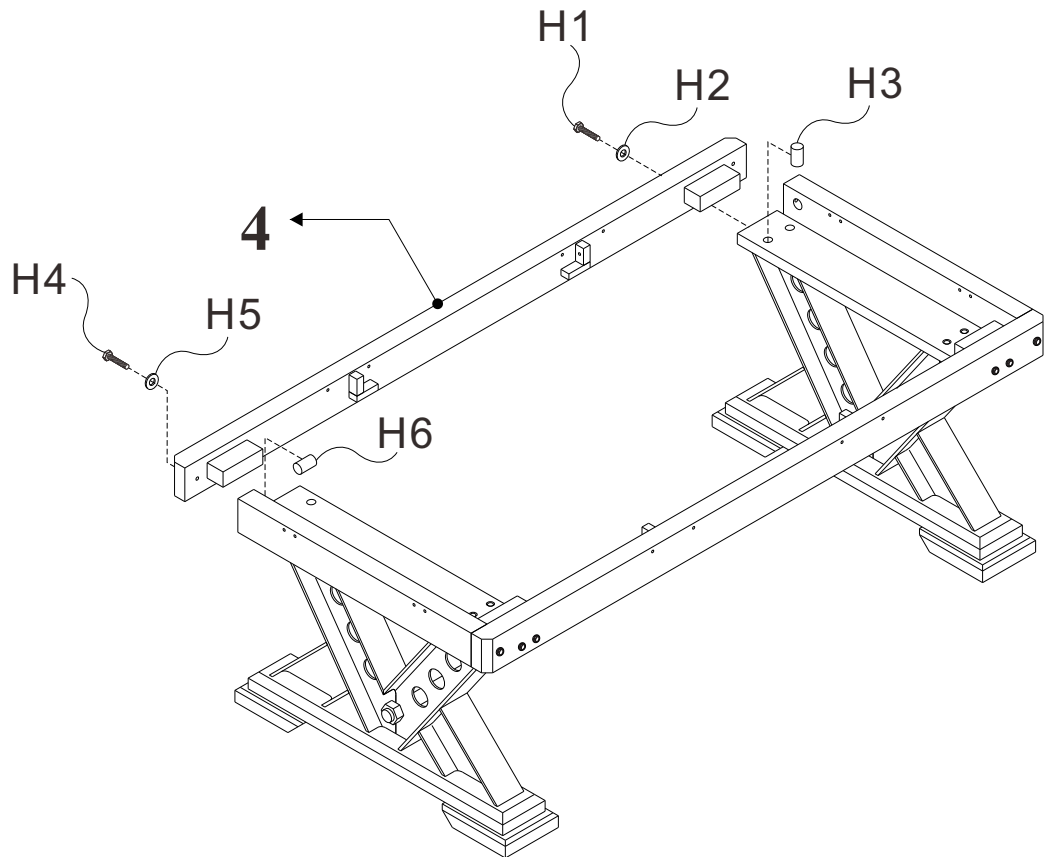


**FIG.4**

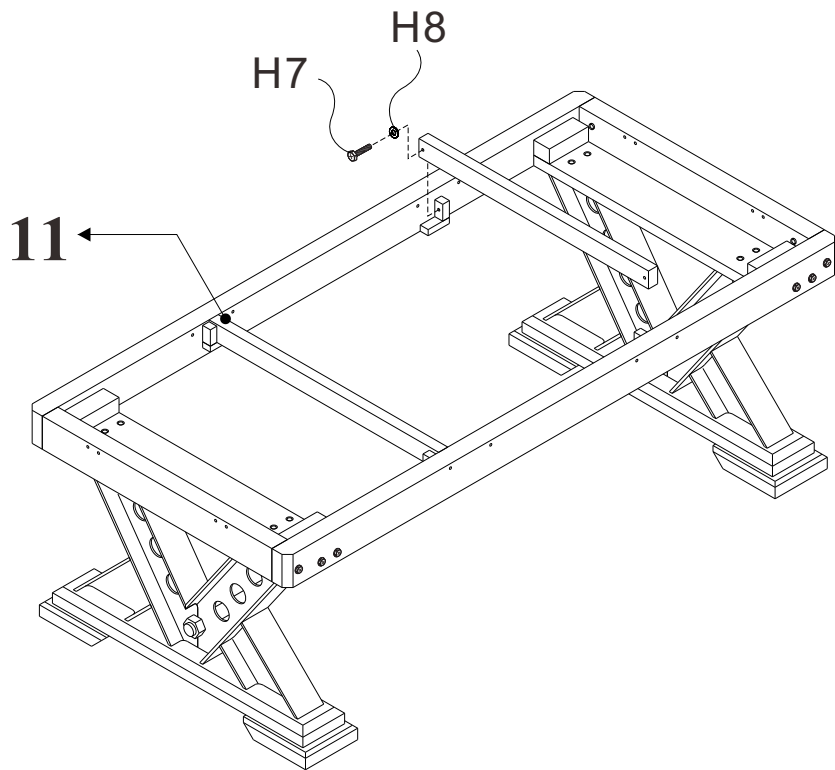


# VIENNA INSTALLATION INSTRUCTIONS

**FIG.5**



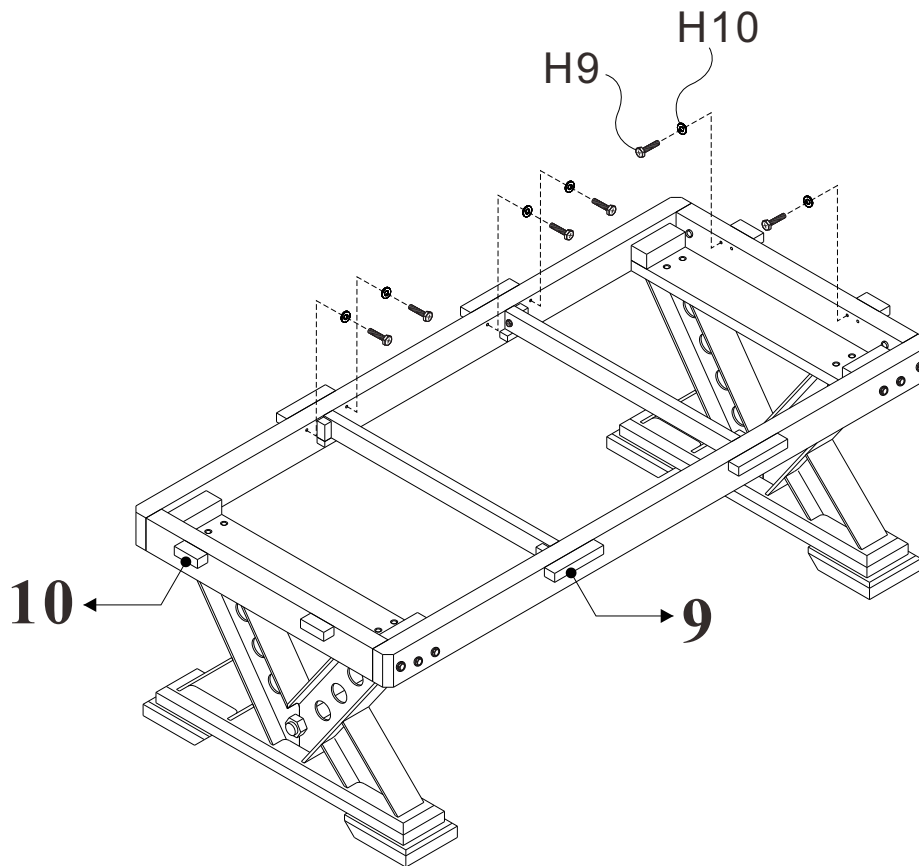
**FIG.6**



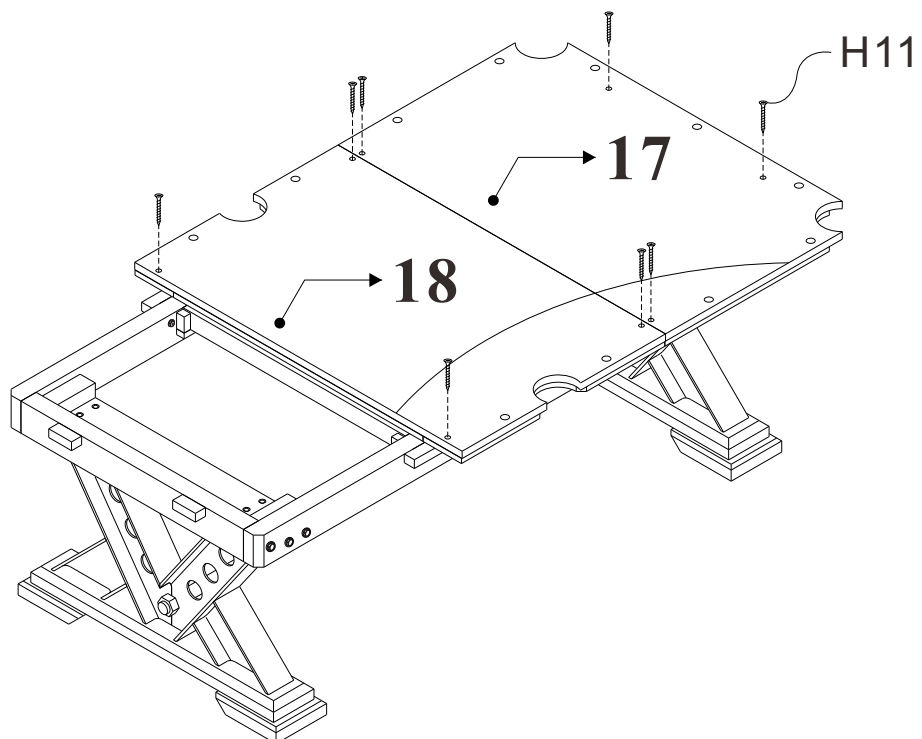


# VIENNA INSTALLATION INSTRUCTIONS

**FIG.7**

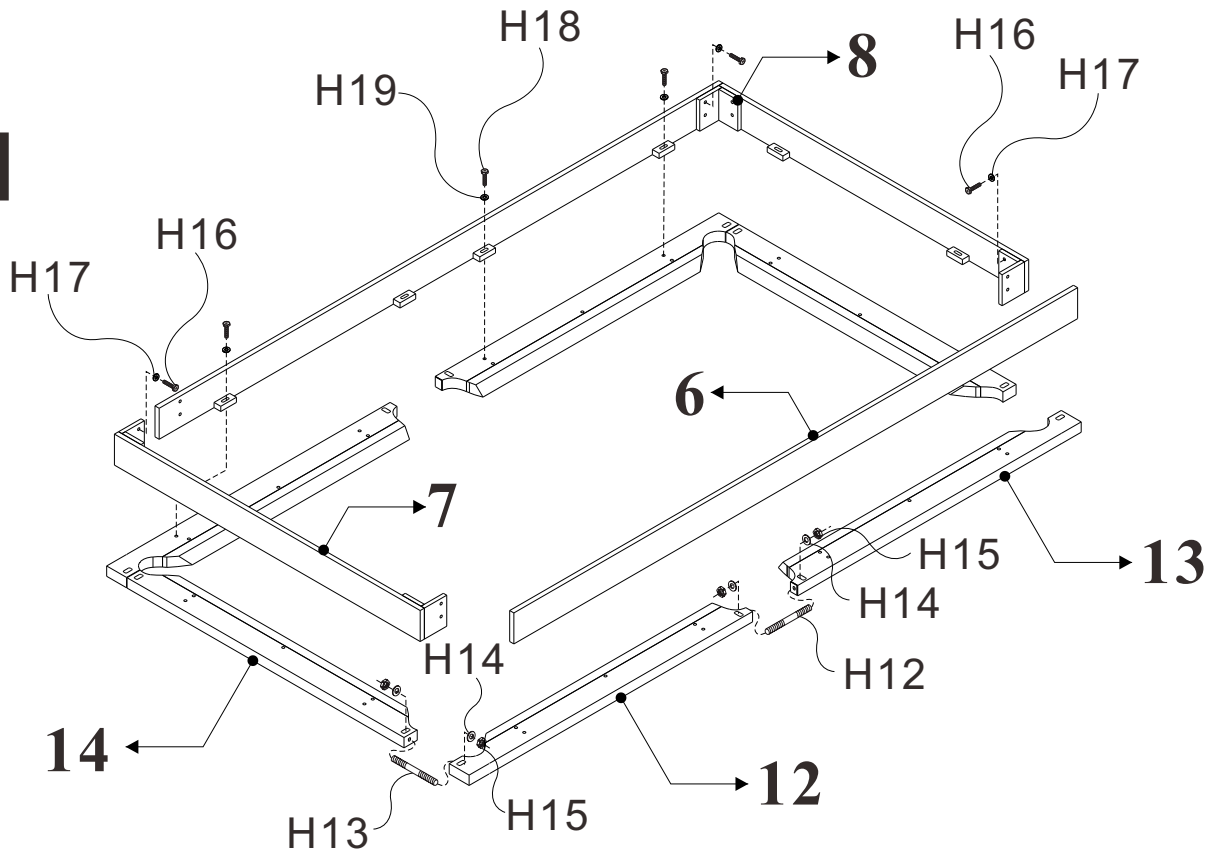


**FIG.8**

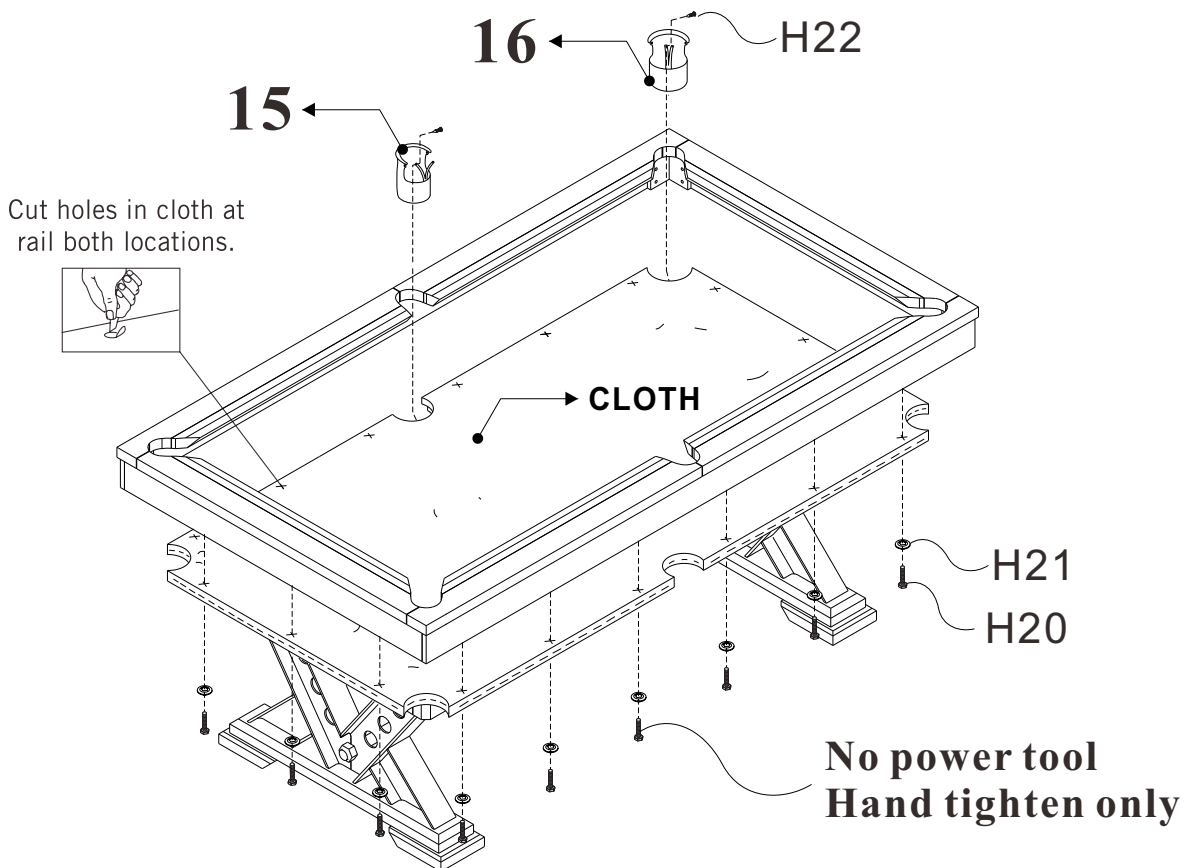


# VIENNA INSTALLATION INSTRUCTIONS

**FIG.9**



**FIG.10**



# VIENNA INSTALLATION INSTRUCTIONS

**Finish**

