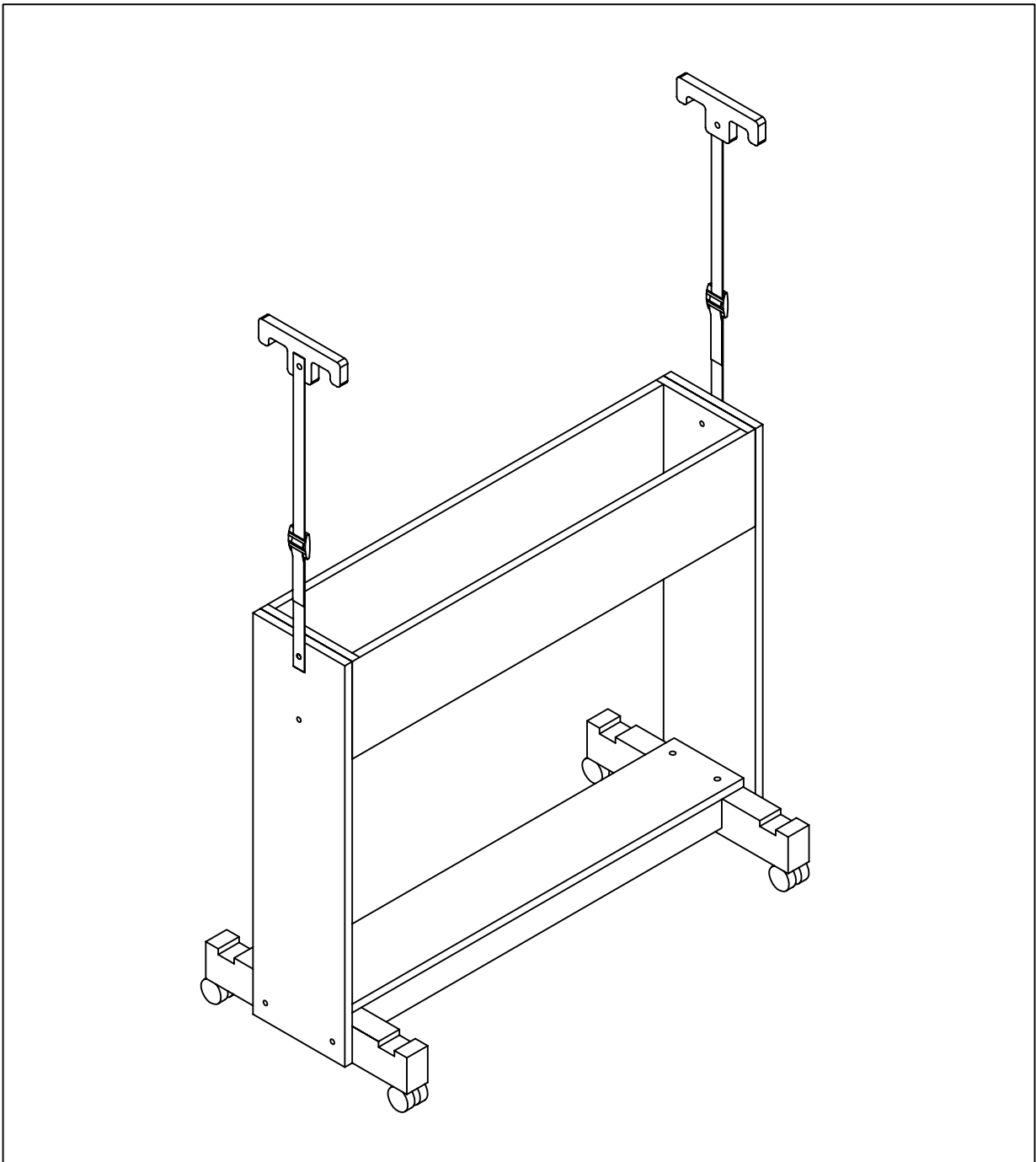
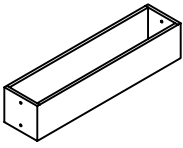
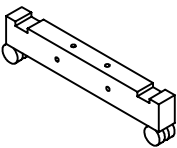
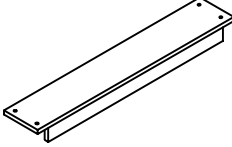
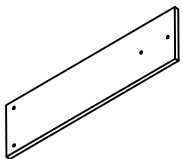
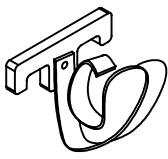

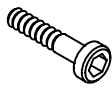
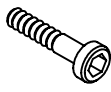
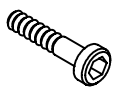





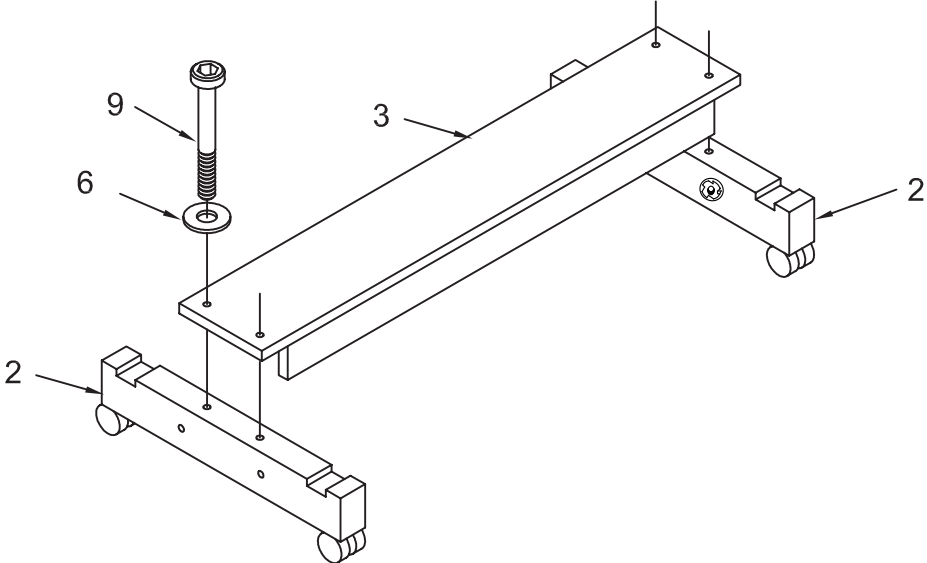
# TABLE TENNIS CONVERSION CADDY



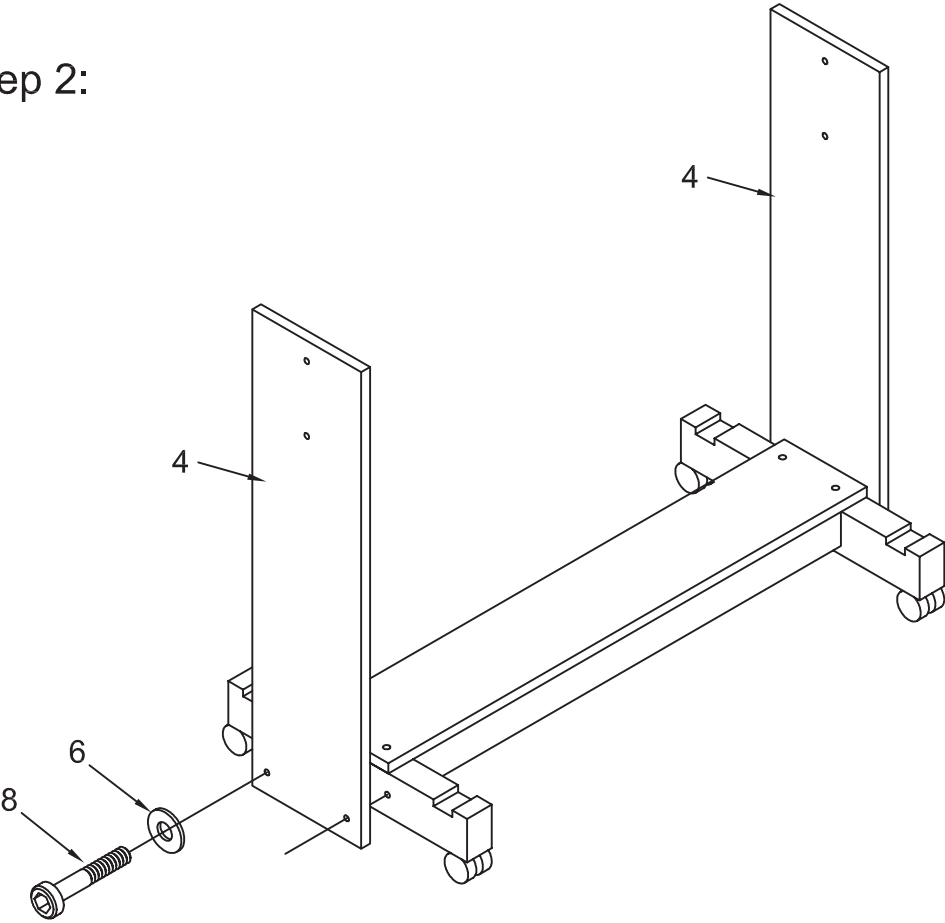
# Table Tennis Caddy Hardware

|  |   |  |  |
|--|---|--|--|
| <p>#1</p>  <p>Storage Box Assy<br/>1 piece</p>                          | <p>#2</p>  <p>Bottom Support Assy<br/>2 pieces</p>                   | <p>#3</p>  <p>Stretcher Assy<br/>1 piece</p>                           | <p>#4</p>  <p>Side Panel<br/>2 pieces</p>                               |
| <p>#5</p>  <p>Hold Bown Assy<br/>2 pieces</p>                           | <p>#6</p>  <p>1/4"X19MM Washer<br/>12 pieces</p> | <p>#7</p>  <p>1/4"X1-1/4" Bolt<br/>4 pieces</p> | <p>#8</p>  <p>1/4"X2-1/4" Bolt<br/>4 pieces</p> |
| <p>#9</p>  <p>1/4"X2-1/2" Bolt<br/>4 pieces</p> | <p>#10</p>  <p>Allen key<br/>1 piece</p>                            |  |  |

Step 1:



Step 2:



Step 3:

