




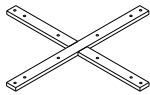



TYLER POKER TABLE



Presidential Billiards, L.P.

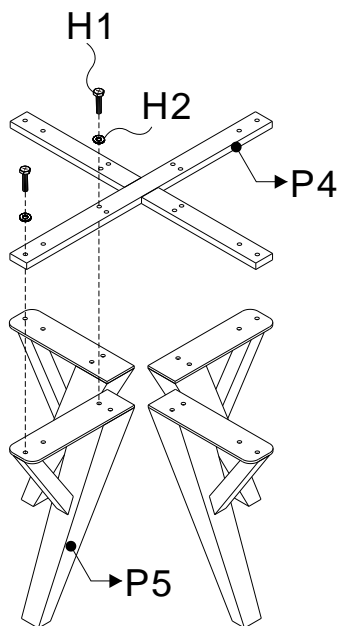
COMPONENT PARTS				
PACKAGE	ITEM #	SAMPLE	DESCRIPTION	QTY.
HARDWARE	H1		HEX HEAD CROSS BOLT 3/8" X 2-3/8"(M10X60mm)	16
	H2		FLAT WASHER 3/8" I.D.	16
WOOD	P1		CUSHION	1
	P2		TABLE TOP	1
	P3		APRON	1
	P4		LEG BEAM	1
	P5		LEG	4

TYLER POKER TABLE

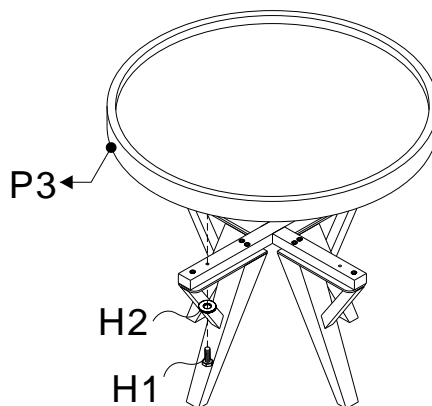


Presidential Billiards, L.P.

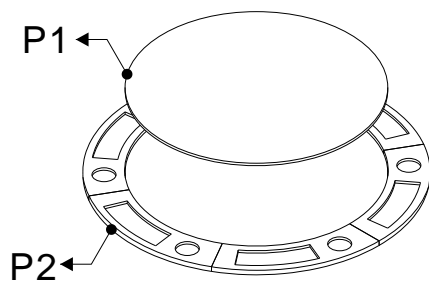
Step 1



Step 2



Step 3



Finish

