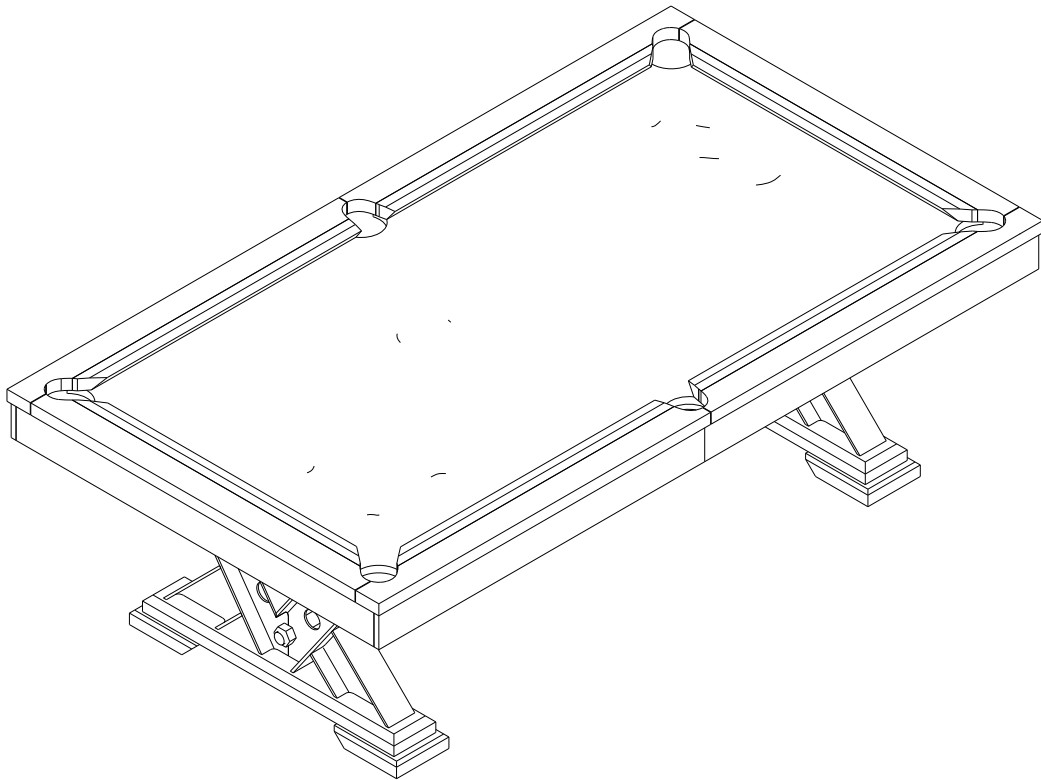




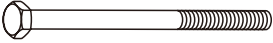


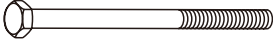








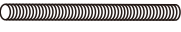




Presidential Billiards, L.P.

VIENNA





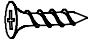


VIENNA TABLE ASSEMBLY INSTRUCTIONS





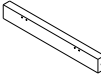
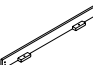
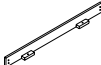
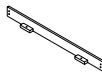


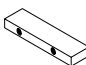



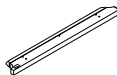
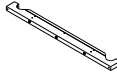
VIENNA HARDWARE

PACKAGE	ITEM#	SAMPLE	DESCRIPTION	QTY.
LEG/PANEL	H1		HEX BOLT 3/8" X 5-1/8"(M10X130mm)	8
	H2		FLAT WASHER 3/8" I.D.	8
	H3		NUT 3/8" I.D.	8
BEAM/BLOCK	H4		HEX BOLT 3/8" X 5-1/8" (M10X130mm)	4
	H5		FLAT WASHER 3/8" I.D.	4
	H6		NUT 3/8" I.D.	4
	H7		HEX HEAD CROSS BOLT 5/16" X 2"(M8X51mm)	4
	H8		FLAT WASHER 5/16" I.D.	4
	H9		HEX HEAD CROSS BOLT 5/16" X 3-1/8"(M8X80mm)	16
	H10		FLAT WASHER 5/16" I.D.	16
RAIL/POCKET/SLATE	H11		FLAT HEAD SCREW 1/4" X 2-3/4"(M6X70mm)	16
	H12		STUD BOLT 5/16" X 5-1/2"(M8X140mm)	2
	H13		STUD BOLT 5/16" X 3-1/2"(M8X88mm)	4
	H14		FLAT WASHER 5/16" I.D.	12
	H15		HEX NUT 5/16" I.D.	12
	H16		HEX HEAD CROSS BOLT 5/16" X 1"(M8X25mm)	24
	H17		FLAT WASHER 5/16" I.D.	24



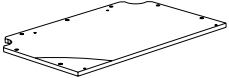
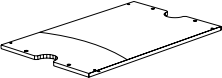
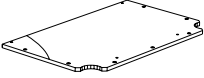

VIENNA HARDWARE

PACKAGE	ITEM#	SAMPLE	DESCRIPTION	QTY.
RAIL/POCKET/SLATE	H18		HEX HEAD CROSS BOLT 5/16" X 1-7/16"(M8X36mm)	12
	H19		FLAT WASHER 5/16" I.D.	12
	H20		HEX HEAD CROSS BOLT 3/8" X 2-3/8"(M10X60mm)	18
	H21		DOME WASHER 3/8" I.D.	18
	H22		FLAT HEAD SCREW 5# X 1/2"(M3X12mm)	24

VIENNA COMPONENT PARTS

PACKAGE	ITEM#	SAMPLE	DESCRIPTION	QTY.
LEG	1		LEG	2
	2		LEG BEAM	1
	3		WOOD PLUG	2
FRAME(PANEL)	4		SIDE CABINET	2
	5		END CABINET	2
	6		LEFT SIDE APRON	2
	7		RIGHT SIDE APRON	2
	8		END APRON	2
	9		APRON JOINT CONNECTOR BLOCK	2
	10		APRON JOINT CORNER BLOCK	4
	11		LONG WOODEN BLOCK	4
	12		SHORT WOODEN BLOCK	4
	BEAM	13		CROSS BEAM
TOP RAIL	14		TOP RAIL LEFT SIDE	2
	15		TOP RAIL RIGHT SIDE	2
	16		TOP RAIL END	2

VIENNA COMPONENT PARTS

PACKAGE	ITEM#	SAMPLE	DESCRIPTION	QTY.
POCKET	17		SIDE POCKET	2
	18		CORNER POCKET	4
SLATE	19		SLATE (LEFT)	1
	20		SLATE (CENTER)	1
	21		SLATE (RIGHT)	1
	22		WOOD JOINT	10

VIENNA INSTALLATION INSTRUCTIONS

FIG.1

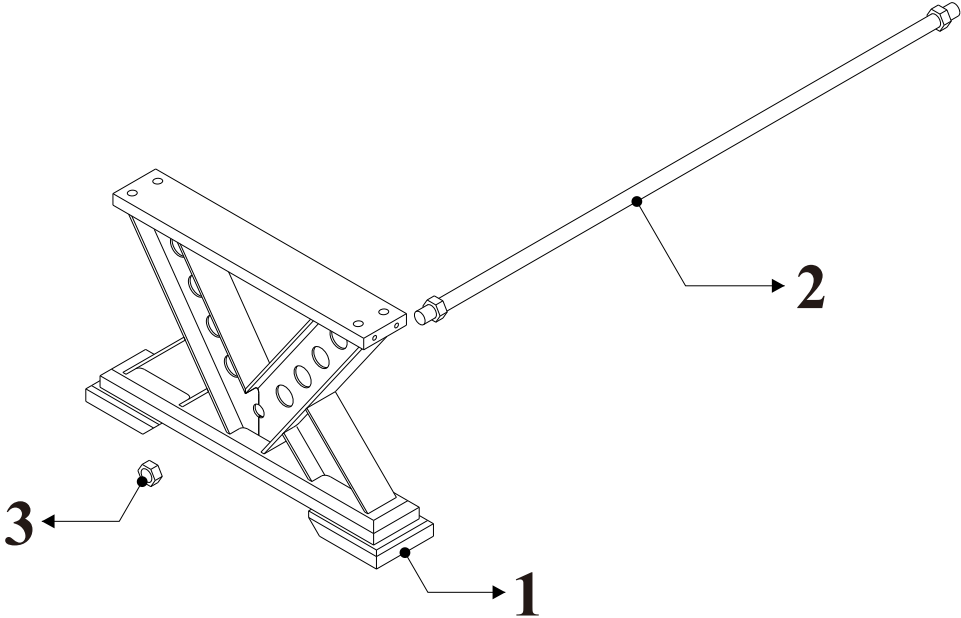
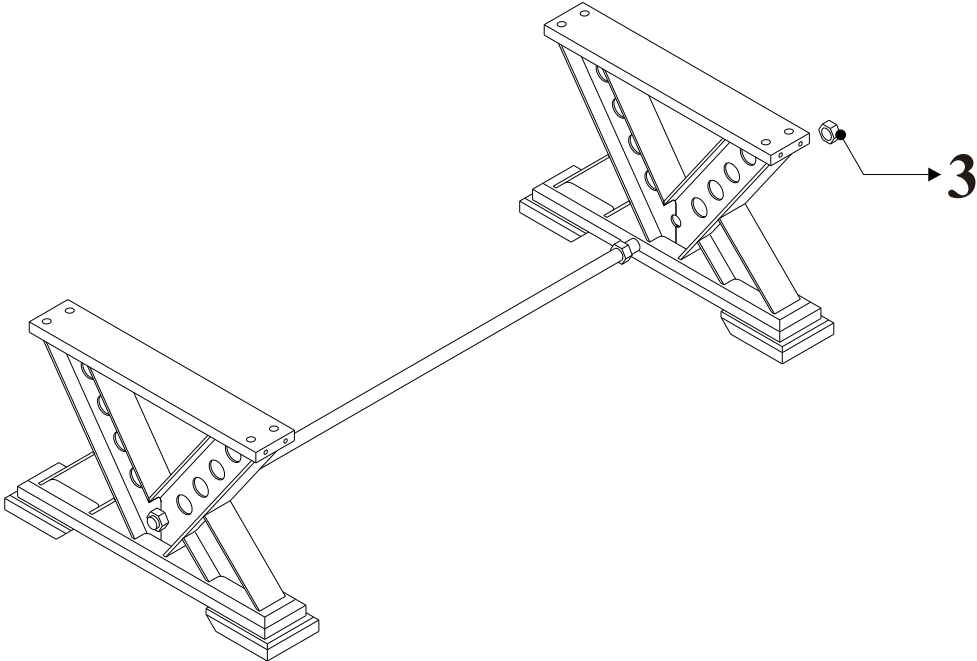


FIG.2



VIENNA INSTALLATION INSTRUCTIONS

FIG.3

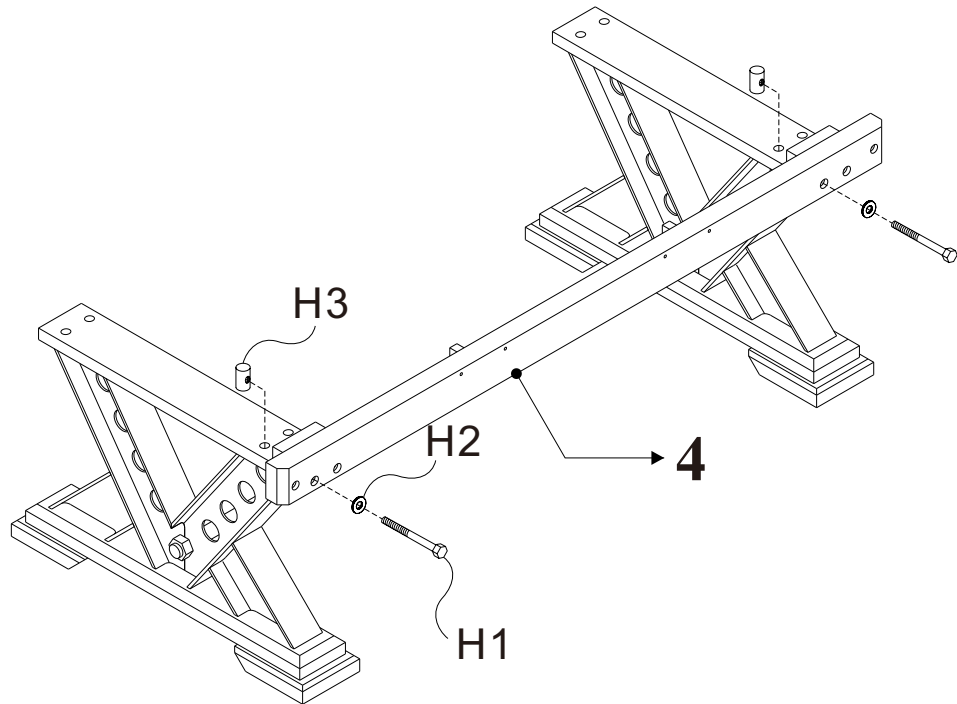
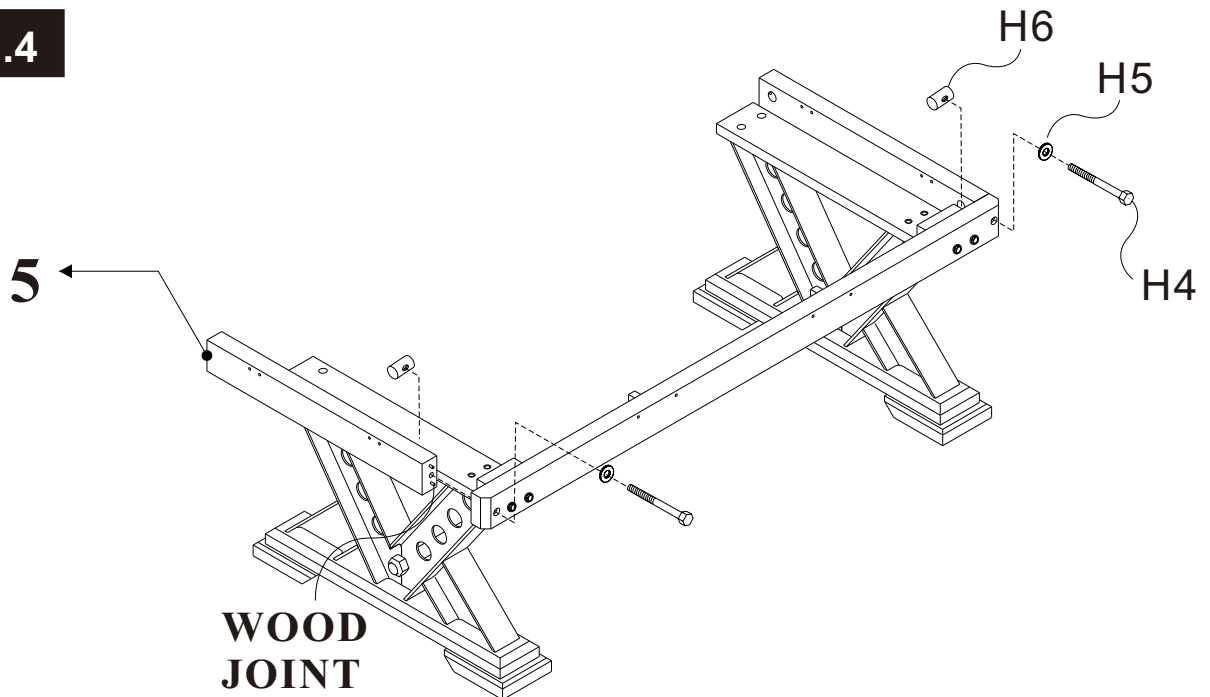


FIG.4



VIENNA INSTALLATION INSTRUCTIONS

FIG.5

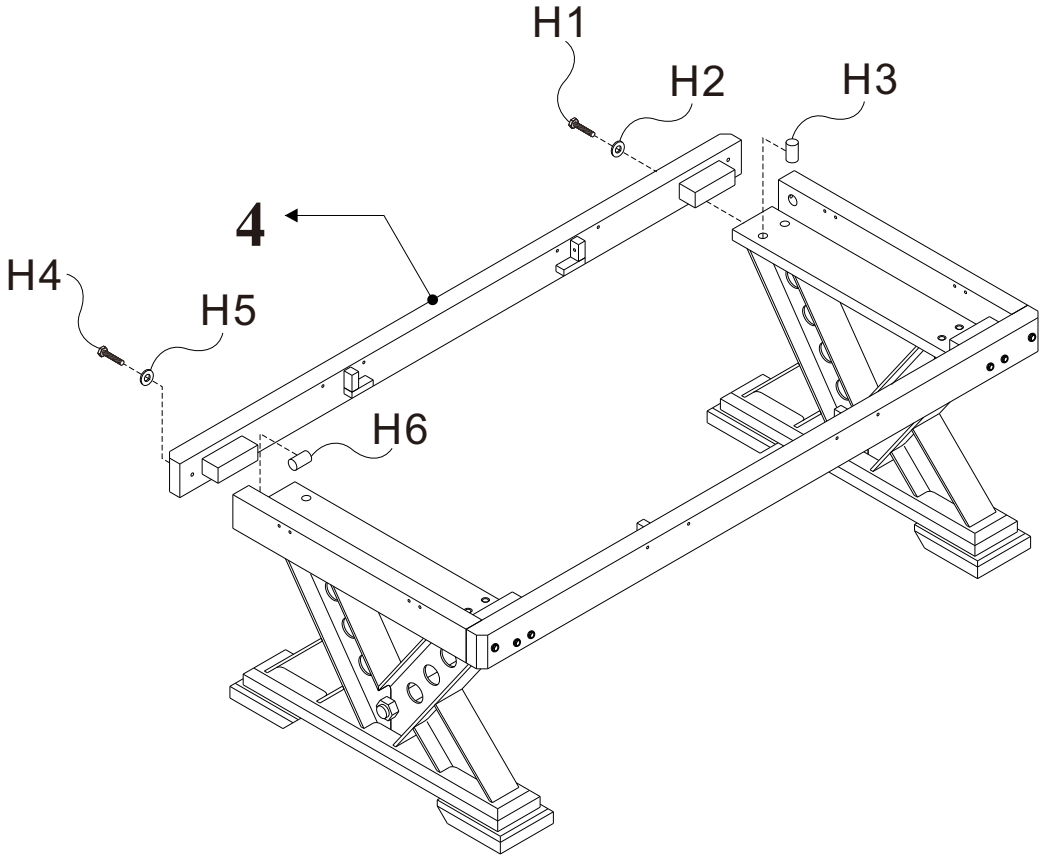
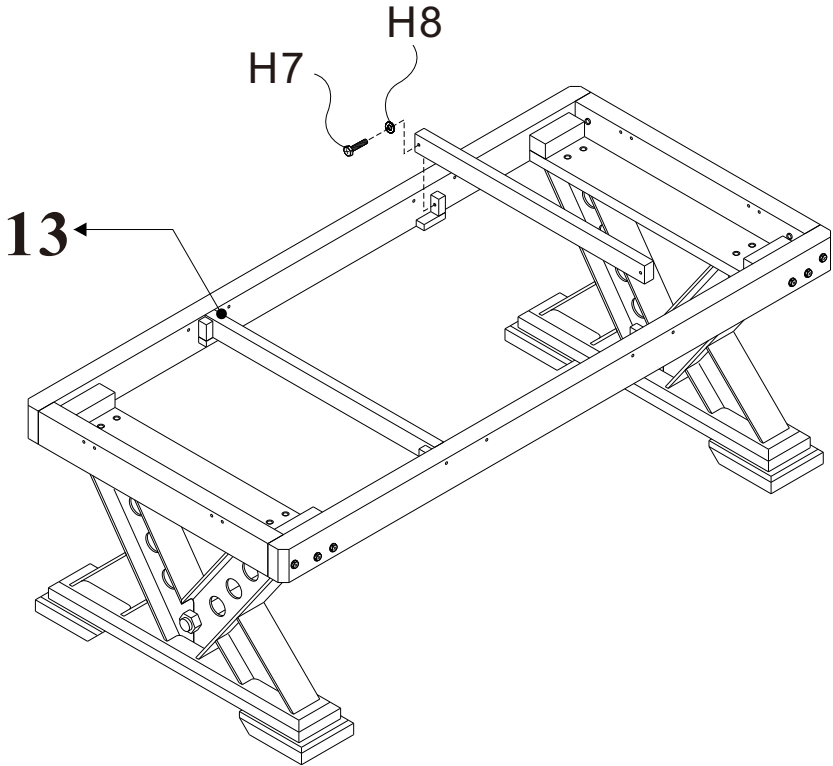


FIG.6



VIENNA INSTALLATION INSTRUCTIONS

FIG.7

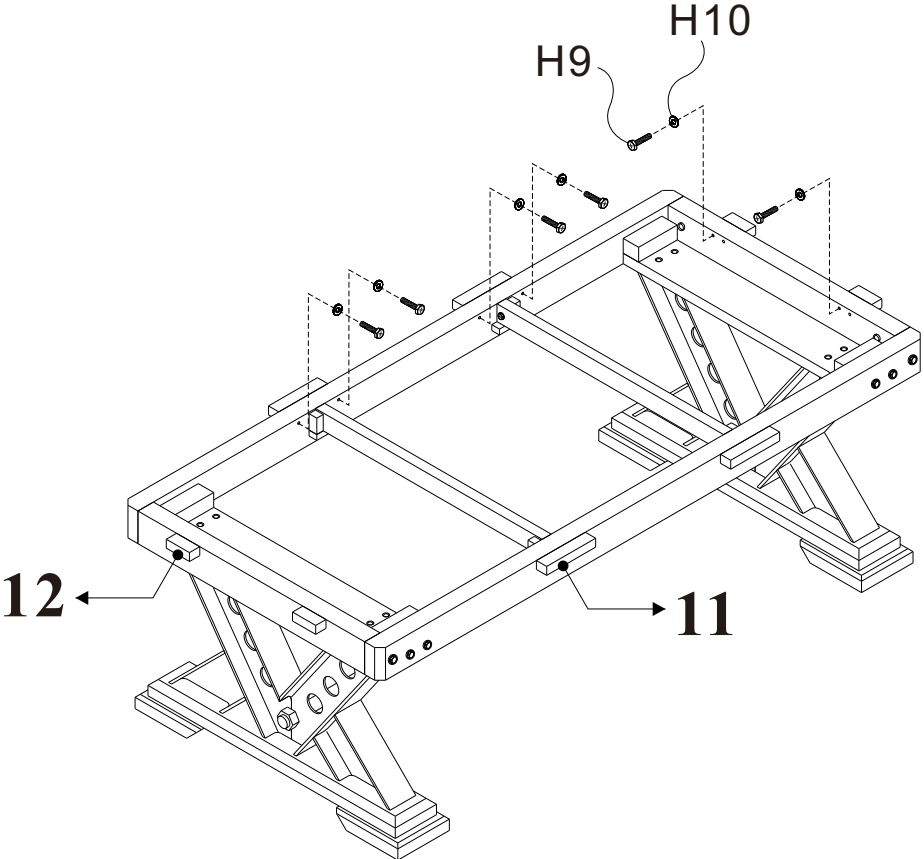
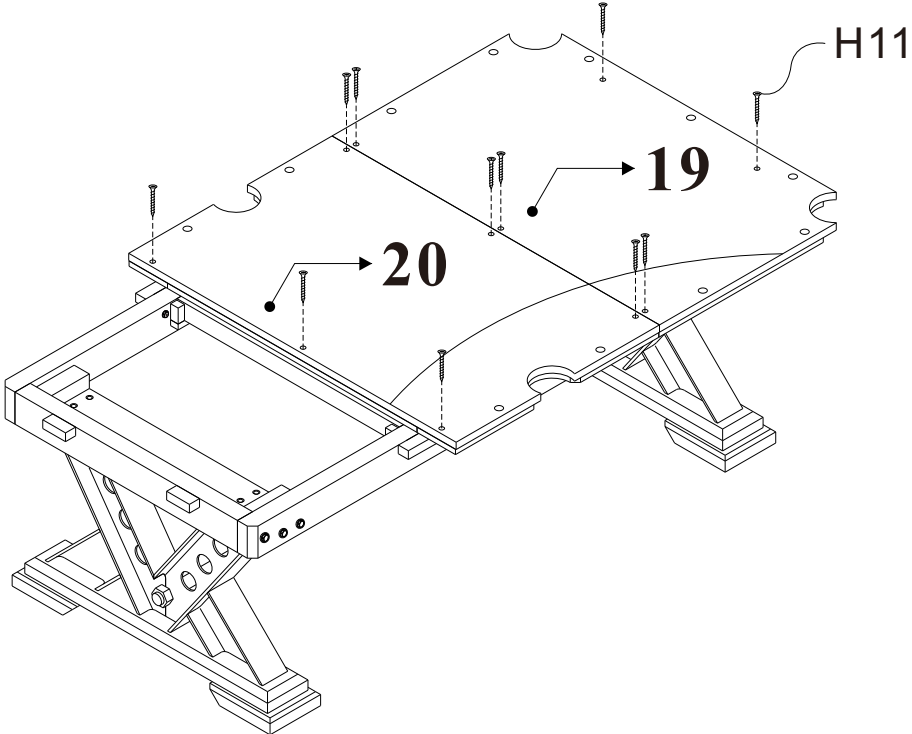


FIG.8



VIENNA INSTALLATION INSTRUCTIONS

FIG.9

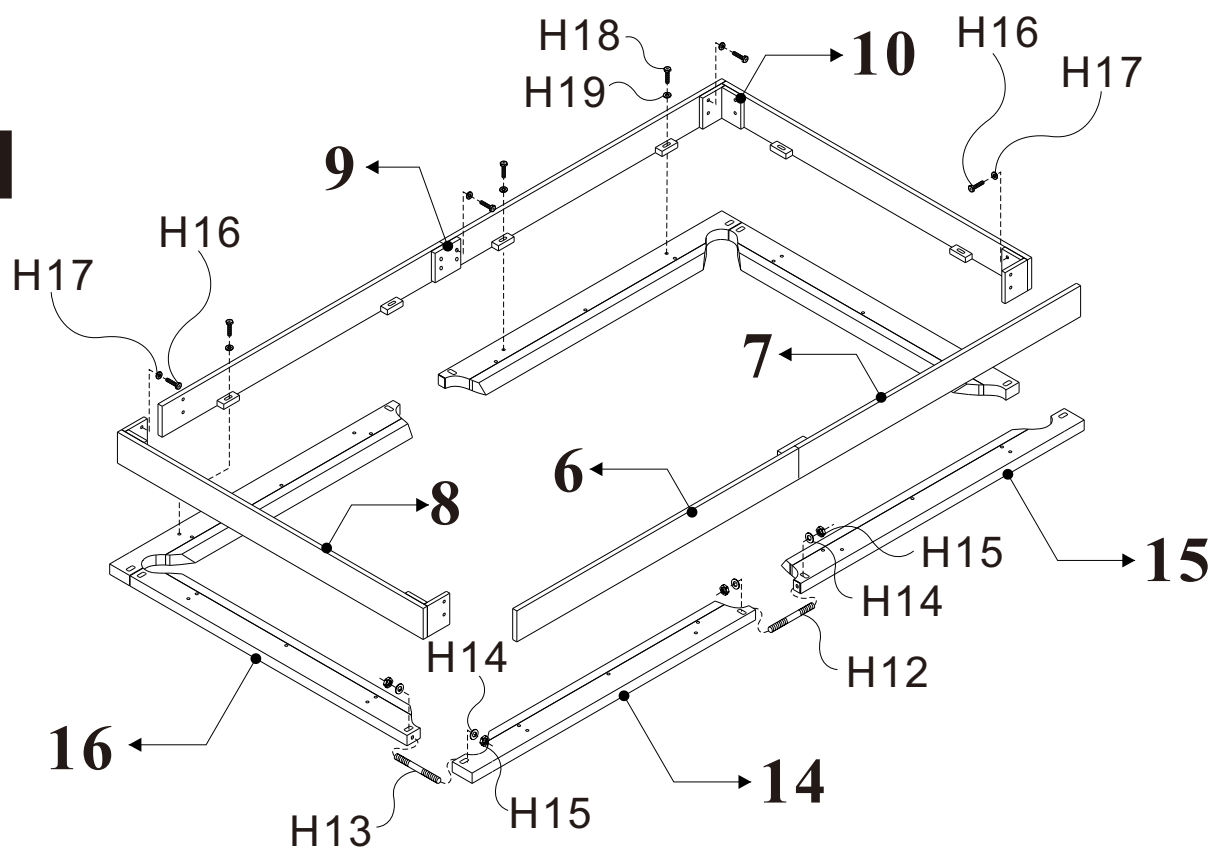
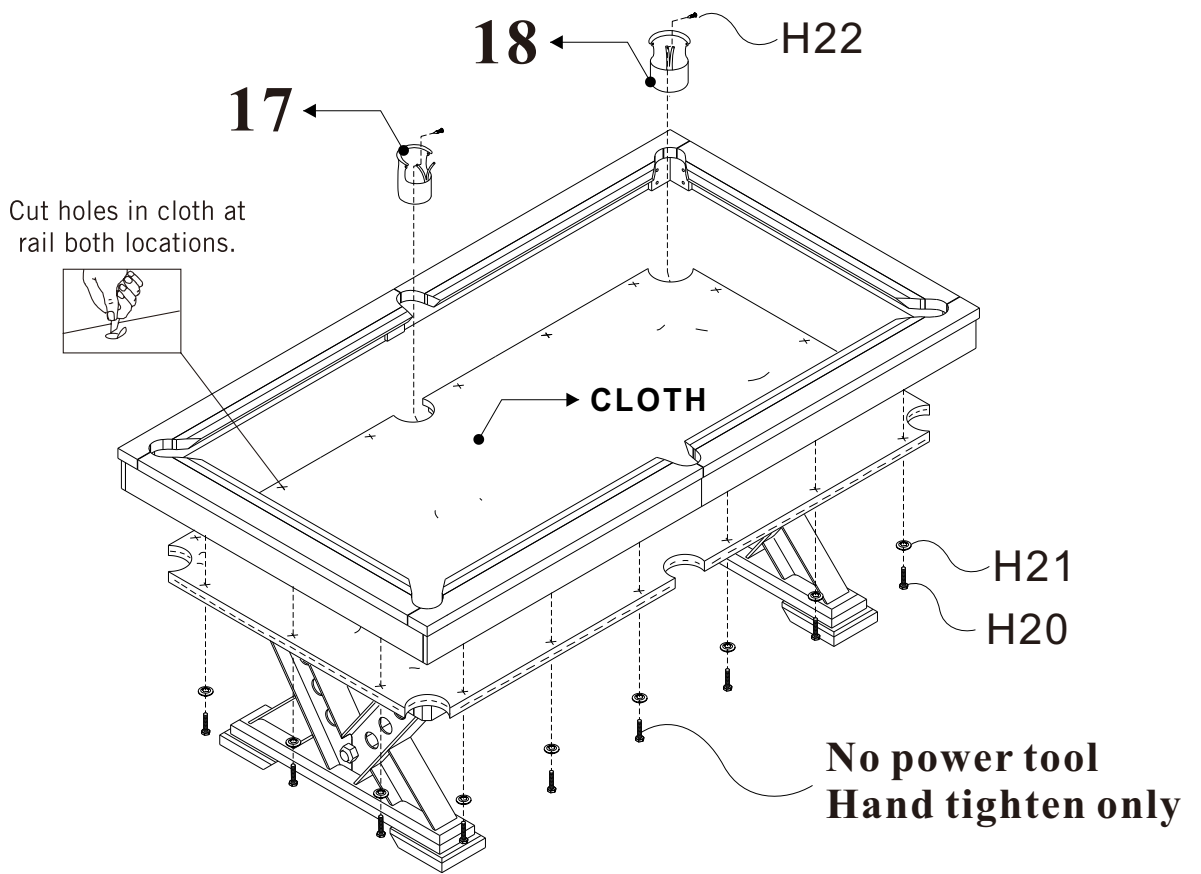


FIG.10



VIENNA INSTALLATION INSTRUCTIONS

Finish

